



## AIR PAINT SPRAY GUN PDFP 500 A1

(GB) (IE)

### AIR PAINT SPRAY GUN

Operation and Safety Notes

Translation of original operation manual

(SE)

### FÄRGPISTOL TRYCKLUFT

Bruksanvisning och säkerhetsanvisningar

Översättning av bruksanvisning i original

(DE) (AT) (CH)

### DRUCKLUFT-FARBSPRITZPISTOLE

Bedienungs- und Sicherheitshinweise

Originalbetriebsanleitung

(FI)

### PAINEILMAKÄYTTÖINEN MAALIRUISKU

Käyttö- ja turvaohjeet

Alkuperäisen käyttöohjeen käännös

(DK)

### TRYKLUFT-FARVESPRØJTE

Brugs- og sikkerhedsanvisninger

Oversættelse af den originale driftsvejledning

IAN 89567

(FI)

(SE)

(DK)



GB IE

Before reading, unfold the page containing the illustrations and familiarise yourself with all functions of the device.

---

FI

Käännä ennen lukemista kuvallinen sivu esiin ja tutustu seuraavaksi laitteen kaikkiin toimintoihin.

---

SE

Vik ut bildsidan och ha den till hands när du läser igenom anvisningarna och gör dig bekant med apparatens / maskinens funktioner.

---

DK

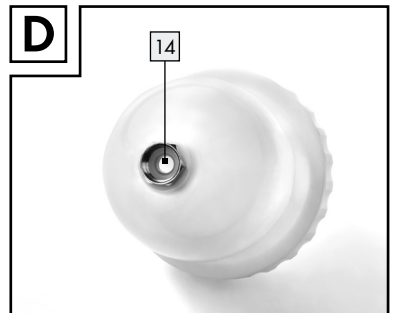
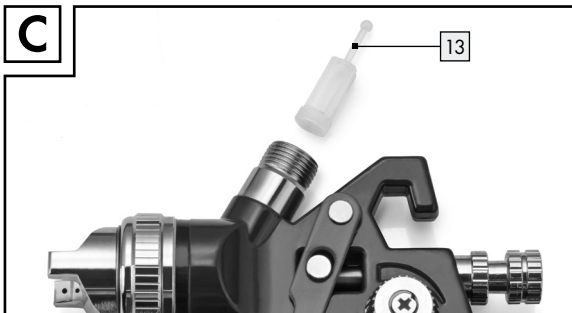
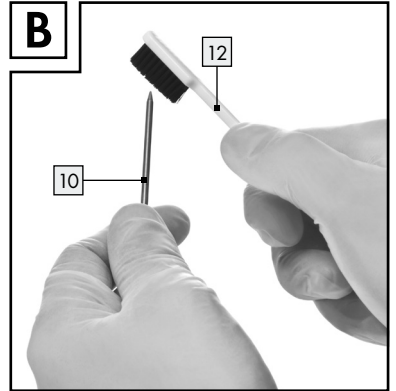
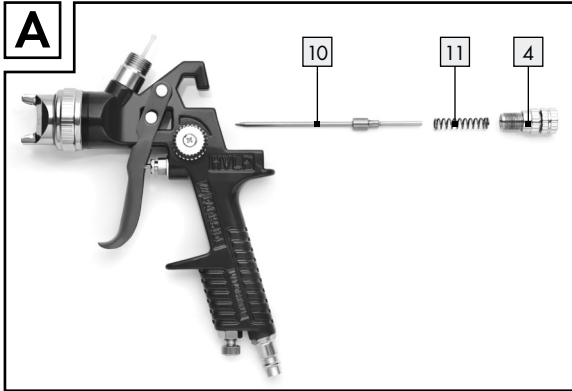
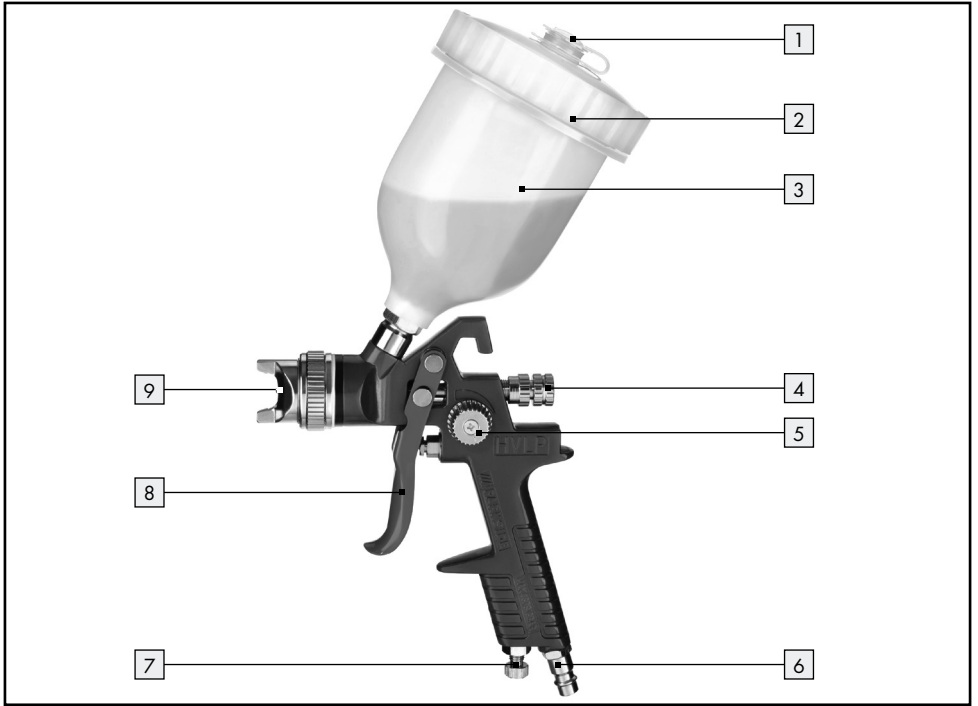
Før du læser, vend siden med billeder frem og bliv bekendt med alle apparatets funktioner.

---

DE AT CH

Klappen Sie vor dem Lesen die Seite mit den Abbildungen aus und machen Sie sich anschließend mit allen Funktionen des Gerätes vertraut.

GB/IE	Operation and Safety Notes	Page	5
FI	Käyttö- ja turvaohjeet	Sivu	13
SE	Bruksanvisning och säkerhetsanvisningar	Sidan	21
DK	Brugs- og sikkerhedsanvisninger	Side	29
DE/AT/CH	Bedienungs- und Sicherheitshinweise	Seite	37





**Introduction**

Correct Usage.....	Page 6
Features and Fittings.....	Page 6
Scope of Delivery.....	Page 6
Technical Data.....	Page 6

**Safety advice**

.....	Page 6
Original accessories / attachments.....	Page 7
Safety instructions for fine spray systems.....	Page 7

**Initial use**

HVLP properties.....	Page 8
Connecting the device.....	Page 8
Preparing the spraying surface.....	Page 8
Turning the device On / Off.....	Page 8
Adjusting the paint jet.....	Page 9
Regulating the quantity of paint.....	Page 9
Regulating the quantity of air.....	Page 9

**Maintenance and Cleaning**

.....	Page 9
-------	--------

**Service**

.....	Page 10
-------	---------

**Warranty**

.....	Page 10
-------	---------

**Disposal**

.....	Page 11
-------	---------

**Declaration of Conformity / Manufacturer**

.....	Page 11
-------	---------

## Air paint spray gun PDFP 500 A1

### ● Introduction

We congratulate you on the purchase of your new device. You have chosen a high quality product. The instructions for use are part of the product. They contain important information concerning safety, use and disposal. Before using the product, please familiarise yourself with all of the safety information and instructions for use. Only use the unit as described and for the specified applications. If you pass the product on to anyone else, please ensure that you also pass on all the documentation with it.

### ● Correct Usage

This compressed air-operated device is only intended for the application / spraying of solvent-containing and water-dilutable paints, glazes, primers, varnishes, automotive topcoats, stains, wood preservatives, pesticides, oils and disinfectants. The device is not suitable for working with dispersion and latex paints, alkalis, acidic coating materials, granular and particulate spraying material or injection and non-drip materials. Any other use or modification shall be deemed to be improper use and could give rise to considerable risk of accident. We will not accept liability for loss or damage arising from improper use. The device is intended for private, domestic use only.

### ● Features and Fittings

- 1 Vent
- 2 Lid of the gravity flow cup
- 3 Gravity flow cup
- 4 Stroke stop screw (paint quantity regulation)
- 5 Regulator for round/broad jet
- 6 Compressed air connection
- 7 Regulator for air quantity control
- 8 Trigger
- 9 Nozzle head
- 10 Needle
- 11 Spring

- 12 Brush
- 13 Filter
- 14 Interior screw thread (flow cup)

### ● Scope of Delivery

- 1 Air paint spray gun PDFP 500 A1
- 1 Gravity flow cup
- 1 Lid for the gravity flow cup
- 1 Cleaning brush
- 1 Filter
- 1 Operating Instructions

### ● Technical Data

Required air quality:	purified, free of condensate and oil
Air consumption:	max. 380 l/min
Working pressure:	max. 3 bar
Volume flow:	typically 130-160 ml/min
Nozzle size:	Ø 1.4 mm
Gravity flow cup:	500 ml
Recommended viscosity:	15 DIN/sec.
Sound pressure level:	64 dB(A)
Sound power level:	76 dB(A)
Values determined in accordance with EN 14462 (EN1953/A1:2009).	

### ● Safety advice



**WARNING!** Read all the safety advice and instructions.

*Failure to observe the safety advice and instructions could result in serious injury and/or damage to property.*

**Keep all the safety advice and instructions in a safe place for future reference!**

**WARNING! RISK OF RECOIL FORCES!**

*High working pressures can give rise to recoil forces that under certain conditions can result in danger from continuous loading.*

**WARNING! DANGER OF SUFFOCATION! Working with nitrogen presents**

**a danger of suffocation!** Work in well ventilated spaces only.

**⚠ WARNING! DANGER OF INJURY!**

Never exceed the maximum allowable working air pressure of 3 bar. Use a pressure reducer to set the working air pressure.

■ **DANGER OF INJURY! IMPROPER USE!**

Never point the device at people or animals.

■ **DANGER OF / EXPLOSION AND FIRE SMOKING PROHIBITED!** Do not ignite any sparks or open flames.

**⚠ WARNING! DANGER OF INJURY!**

Never use oxygen or other combustible gas as the energy source.

**⚠ WARNING! DANGER OF INJURY!**

**First disconnect the hose from the compressed air source and only then disconnect the compressed air supply hose from the device.** This will ensure that the compressed air supply hose does not wave around or recoil in an uncontrolled manner.

- **For your own safety, wear suitable personal protective equipment.** Wear respiratory protection with active charcoal filters and goggles.
- **Keep children and other people away while you are operating the device.** Distractions can cause you to lose control of the device.
- Disconnect the device from the compressed air source before carrying out any repair or maintenance work, during interruptions to operations and before transporting the device.
- When removing the hose coupling, hold the hose tightly in your hand to avoid injury caused by the hose shooting backwards.
- **Look out for damage on the device.** Check the device for damage before bringing it into use. Do not use the device if you discover any defects.
- Do not kink the device's hose, otherwise you may damage it.
- Please note the safety instructions of the manufacturer of the sprayed material.
- **Remain alert at all times, pay attention to what you are doing and use common sense in your work. Do not use any device when you are tired or under the**

**influence of drugs, alcohol or medications.**

- Do not remove rating plates or labels - they are safety-relevant parts of the device.
- If you are inexperienced in the use of this type of device, you should seek out information or training to learn how to handle it safely.

● **Original accessories / attachments**

- **Use only the accessories and attachments detailed in the operating instructions.** The use of accessories other than those recommended in the operating instructions could lead to you being in danger of injury.

● **Safety instructions for fine spray systems**

- **Keep your work area clean, well lit and free of paint or solvent containers, rags and other combustible materials.** Potential danger of spontaneous combustion. Keep fully functioning fire extinguishers / extinguishing equipment available at all times.
- **Ensure good ventilation in the spraying area and sufficient quantities of fresh air throughout the room.** Evaporating flammable solvents create an explosive environment.
- **Do not spray or clean with materials with a flashpoint below 21 °C. Use materials on the basis of water, low-volatile hydrocarbons or similar materials.** Highly volatile evaporating solvents create an explosive environment.
- **Do not spray in the area of ignition sources such as static electricity sparks, open flames, pilot lights, hot objects, motors, cigarettes and sparks from inserting and disconnecting power cords or the operation of switches.** Such sources of sparks can lead to ignition of the surrounding area.

- **Do not spray any materials for which it is not known whether they pose a danger.** Unknown materials can create dangerous conditions.
- **Wear additional personal protective equipment such as appropriate protective gloves and protective masks or respirators when spraying or handling chemicals.** The wearing of protective equipment in such conditions reduces exposure to harmful substances.
- **Do not spray on yourself, other people or animals. Keep hands and other body parts away from the spray jet.** If the spray penetrates the skin, seek medical help immediately. The material being sprayed can even penetrate the skin through a glove and be injected into your body.
- **Do not treat an injection as a simple cut. A high pressure jet may inject toxins into the body and cause serious injuries.** If the spray is injected into the skin, seek medical help immediately.
- **Pay attention to any possible dangers of the material being sprayed. Note the markings on the container or the manufacturer's information relating to the material being sprayed, including the instruction to use personal protective equipment.** The manufacturer's instructions must be followed to reduce the risk of fire, as well as injuries caused by toxins, carcinogens, etc.
- **Never spray without the nozzle head in place.** The use of a special nozzle insert with the appropriate nozzle head reduces the probability of a high-pressure jet penetrating the skin and injecting toxins into the body.

## ● Initial use

### ● HVLP properties

This device uses an HVLP system (High Volume Low Pressure). It ensures the increased application of (paint) materials with lower consumption.


**Important:** Do not exceed the maximum working pressure of 3 bar.

## ● Connecting the device

- Operate the product only with cleaned, condensate- and oil-free compressed air and never exceed the maximum working air pressure at the device of 3 bar.
- The compressed air source must be fitted with a (filter) / pressure reducer so that the air pressure can be regulated.

In order to operate this device you require a flexible compressed air hose with quick-release coupling and an appropriate source of compressed air. Observe the operating and safety instructions of the compressed air source and any special instructions concerning paint preparation.

**Note:** Ensure the correct working pressure. An excessive working pressure leads to increased fine dispersion and results in too rapid evaporation of the liquid. The surfaces become rough and develop poor adhesion properties. If the working pressure is too low on the other hand, the paint material is not sufficiently atomised. Undulating surfaces and the formation of drops are the result.

- Connect the compressed air hose with the rapid-release coupling to the compressed air connection  of the device. This automatically locks into place.
- Use the filter pressure reducer of the compressed air source to set the working pressure to 3 bar.

## ● Preparing the spraying surface

- Mask off the surroundings of the spraying surface thoroughly over a wide area. Otherwise all non-covered areas or surfaces may become soiled.
- Make sure that the spraying surface is clean, dry and free of grease.
- Roughen smooth surfaces and then remove the sanding dust.

## ● Turning the device On / Off

### Working Instructions:

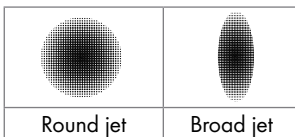
- Insert the filter in the gun (see Fig. C).



- When working with the device you should open the vent **1**.
  - When diluting the material, make sure that the spraying material and the dilution are suitable for one another. If an incorrect dilution is used, lumps may form and clog the gun as a result.
  - Screw the flow cup **3** clockwise firmly on to the gun.
  - Fill the spraying material into the flow cup **3** and screw the lid **2** on tight.
  - Always hold the paint spray gun at the same distance from the object. The ideal spraying distance is approximately 15 cm.
  - Determine the appropriate settings in each case by experimenting.
  - Do not turn the device on / off when it is over the spraying surface, but start and end the spraying process approximately 10 cm outside of the spraying area.
- Press the trigger **8** to start spraying and keep it held down.
  - In order to stop spraying, release the trigger **8** again.

## ● Adjusting the paint jet

The device has the settings round and broad jet.



### Adjusting the round jet:

- Use the round jet, for example, for small surfaces, corners and edges.
- Turn the regulator **5** in a clockwise direction **C**.

### Adjusting the broad jet:

- Use the broad jet vertically and horizontally over larger areas.
- Turn the regulator **5** in an anticlockwise direction **D**. The nozzle head **9** can be continuously adjusted vertically and horizontally by turning to the desired position.

## ● Regulating the quantity of paint

**Note:** The front locking screw is used to limit the adjustment range of the stroke stop screw **4**.

### Increasing the quantity of paint:

- Turn the stroke stop screw **4** in an anticlockwise direction.

### Reducing the quantity of paint:

- Turn the stroke stop screw **4** in a clockwise direction.

## ● Regulating the quantity of air

**Note:** It is advisable to start with the maximum amount of air. In order to do this, open the air volume regulator **7** as described below under "Increasing the air quantity" up to the maximum setting.

### Increasing the air quantity:

**Note:** Increasing the amount of air is generally advisable when the degree of atomization is too coarse.

- Turn the air quantity regulator **7** in an anticlockwise direction.

### Reducing the air quantity:

**Note:** Reducing the amount of air is generally advisable when the paint spray is too strong.

- Turn the air quantity regulator **7** in a clockwise direction.

## ● Maintenance and Cleaning

**Note:** Thorough cleaning after each use is very important for safety and operation. Otherwise, for example, the needle will become clogged and the proper functioning of the appliance can no longer be guaranteed.

- Wear suitable protective gloves when carrying out cleaning work.
- Do not use any hydrocarbon-containing halogen solvents, such as trichloromethyl, ethyl chloride, etc., as they undergo chemical reactions with

some materials of the paint spray gun. This can lead to dangerous reactions.

- ▲ **ATTENTION!** Never immerse the paint spray gun completely in solvent.
- After each use, spray thinner (**only in the open air – danger of explosion!**) or water through the device.
- To clean the casing, nozzle head [9] and the spray holes inside it, use a cloth or the cleaning brush provided. Never use petrol, solvents or cleaning agents that attack plastic.
- First unscrew the stroke stop screw [4] by turning it anti-clockwise ↺.
- Remove the spring [11].
- Remove the needle [10] with the aid of pliers (see Fig. A).
- Clean the needle [10] carefully with the brush [12], also refer to Fig. B.
- Replace the needle [10] in the paint spray gun.
- Position the spring [11] on the end of the needle [10].
- Tighten the stroke stop screw [4] by turning it clockwise ↻.
- Unscrew the flow cup [3] from the gun by turning anticlockwise ↺.
- Remove the filter [13], as shown in Figure C, and clean it with the cleaning brush.
- Clean the interior screw thread [14] of the flow cup [3] with the cleaning brush (see Fig. D).
- Replace the filter in the gun (see Fig. C) and tighten the flow cup [3] by turning it clockwise ↻.
- For rust protection you can spray sewing machine oil through the device after cleaning.
- Lubricate all moving parts from time to time.
- After cleaning the needle, the thread and seal must be lightly treated with grease.
- Do not use any lubricants containing silicone.
- Only store compressed air tools in dry areas.

## ● Service

- ▲ **WARNING!** Compressed air-operated equipment should only be repaired by qualified specialists and with original spare parts. This will ensure that devices remain safe.

## ● Warranty

**The warranty for this appliance is for 3 years from the date of purchase. The appliance has been manufactured with care and meticulously examined before delivery. Please retain your receipt as proof of purchase. In the event of a warranty claim, please make contact by telephone with our Service Department. Only in this way can a post-free despatch for your goods be assured.**

The warranty covers only claims for material and manufacturing defects, but not for transport damage, for wearing parts or for damage to fragile components, e.g. buttons or batteries. This product is for private use only and is not intended for commercial use.

The warranty is void in the case of abusive and improper handling, use of force and internal tampering not carried out by our authorized service branch. Your statutory rights are not restricted in any way by this warranty.

The warranty period will not be extended by repairs made under warranty. This applies also to replaced and repaired parts. Any damage and defects extant on purchase must be reported immediately after unpacking the appliance, at the latest, two days after the purchase date. Repairs made after the expiration of the warranty period are subject to payment.

### GB

#### Service Great Britain

Tel.: 0871 5000 720

(0,10 GBP/Min.)

e-mail: [kompennass@lidl.co.uk](mailto:kompennass@lidl.co.uk)

**IAN 89567**

### IE

#### Service Ireland

Tel: 1890 930 034

(0,08 EUR/Min. (peak))

0,06 EUR/Min. (off peak))

e-mail: [kompennass@lidl.ie](mailto:kompennass@lidl.ie)

**IAN 89567**

## ● Disposal



The packaging is wholly composed of environmentally-friendly materials that can be disposed of at a local recycling centre.

Contact your local refuse disposal authority for more details of how to dispose of your worn out electrical devices.

### **Environmental compatibility and disposal of materials:**

- Paint, varnishes etc. are special wastes which must be disposed of in the appropriate manner.
- Observe the regulations applicable in your area.
- Observe the manufacturer's instructions.
- Environmentally damaging chemicals must not be allowed to enter the soil, groundwater or watercourses.
- Carrying out spraying at the edge of watercourses or adjoining areas (catchments) is therefore prohibited.
- Consider their environmental compatibility when buying paints, varnishes etc.

## ● Declaration of Conformity / Manufacturer CE

We, KOMPERNASS GMBH, the person responsible for documents: Mr Semi Uguzlu, BURGSTR. 21, 44867 BOCHUM, GERMANY, hereby declare that this product complies with the following standards, normative documents and EU directives:

### **Machinery Directive (2006 / 42 / EC)**

#### **Applicable harmonized standards**

DIN EN 1953:1998+A1:2009  
(EN 1953:1998+A1:2009)

#### **Type / Machine designation:**

Air paint spray gun PDFP 500 A 1

**Date of manufacture (DOM): 04-2013**

**Serial number: IAN 89567**

Bochum, 30.04.2013

A handwritten signature in black ink, appearing to read 'Semi Uguzlu', written over a light blue horizontal line.

Semi Uguzlu  
- Quality Manager -

We reserve the right to make technical modifications in the course of product development.



## Johdanto

Määräystenmukainen käyttö.....	Sivu 14
Varustus .....	Sivu 14
Toimitukseen kuuluu .....	Sivu 14
Tekniset tiedot.....	Sivu 14

## Turvallisuusohjeet

Alkuperäiset varusteet / -lisälaitteet .....	Sivu 15
Hienoruiskujärjestelmien turvallisuusohjeet.....	Sivu 15

## Käyttöönotto

HVLP-ominaisuudet.....	Sivu 16
Laitteen liittäminen .....	Sivu 16
Ruiskutettavan pinnan valmistelu.....	Sivu 16
Laitteen päälle- / poiskytkentä .....	Sivu 16
Värisuihkun säätö .....	Sivu 17
Maalimäärän säätö.....	Sivu 17
Ilmamäärän säätö.....	Sivu 17

## Huolto ja puhdistus

Sivu 17

## Huolto

Sivu 18

## Takuu

Sivu 18

## Hävittäminen

Sivu 18

## Vaatimustenmukaisuusvakuutus / Valmistaja

Sivu 19

## Paineilmakäyttöinen maaliruisku PDFP 500 A1

### ● Johdanto

Onnittelemme sinua hyvästä valinnastasi! Valitsit erittäin korkealaatuisen tuotteen. Käyttöohje on osa tätä tuotetta. Se sisältää tärkeitä turvallisuusohjeita sekä käyttöä ja hävitystä koskevia ohjeita. Tutustu ennen tuotteen käyttöä huolellisesti kaikkiin käyttöä turvallisuusohjeisiin. Käytä tuotetta ainoastaan ohjeen mukaan ja siinä mainittuihin tarkoituksiin. Anna kaikki ohjeet mukaan, jos luovutat tuotteen edelleen.

### ● Määräystenmukainen käyttö

Paineilmakäyttöinen laite soveltuu levittämään / ruiskuttamaan vain liuotainepitoisia ja vesiohenteisiä lakkoja, kuultovärejä, pohjustusvärejä, kirkaslakkaa, moottoriajoneuvojen peitemaaleja, petsivärejä, puunsuojai-aineita, kasvinuojeluaineita, öljyjä ja desinfiointiaineita. Tämä laite ei sovellu dispersio- ja lateksimaalien, lipeän, happopitoisten pinnoitteiden, rakeisten ja kiinteää ainetta sisältävien aineiden tai ruiskutusestoisten ja tikstrooppisten aineiden ruiskutukseen. Kaikki muunlainen käyttö tai muutosten teko laitteeseen on määrästenvastaista ja voi aiheuttaa huomattavia tapaturmavaaroja. Emme ota mitään vastuuta määrästenvastaisesta käytöstä aiheutuneista vahingoista. Laite on tarkoitettu ainoastaan yksityiskäyttöön.

### ● Varustus

- 1 Ilmanpoistoaukko
- 2 Nestesäiliön kansi
- 3 Nestesäiliö
- 4 Vasteruuvi (värinesteen määrän säätö)
- 5 Pyöri-/tasosuihkun säädin
- 6 Paineilmaliitäntä
- 7 Säädin ilmamäärän säätöön
- 8 Laukaisin
- 9 Suuttimenpäät
- 10 Piikki

- 11 Jousi
- 12 Harja
- 13 Suodatin
- 14 Sisäpuolinen ruuvikierre (nestesäiliö)

### ● Toimitukseen kuuluu

- 1 paineilmakäyttöinen maaliruisku PDFP 500 A1
- 1 maaliastia
- 1 maaliastian kansi
- 1 puhdistusharja
- 1 suodatin
- 1 käyttöohje

### ● Tekniset tiedot

Vaadittava ilmanlaatu: puhdistettu, lauhteeton ja öljytön  
Ilmankulutus: max. 380 l / min  
Työpaine: max. 3 bar  
Läpivirtausmäärä: tyypillinen 130–160 ml / min.  
Suutinkoko: Ø 1,4 mm  
Maaliastia: 500 ml  
Suositeltava viskositeetti: 15 DIN / sek.  
Äänenpainetaso: 64 dB(A)  
Äänitehotaso: 76 dB(A)  
Mittausarvo laskettu EN 14462 (EN1953/A1:2009) mukaan.

### ● Turvallisuusohjeet



**VAROITUS!** Lue kaikki turvallisuusohjeet ja käyttöohjeet läpi. Mikäli turvallisuusohjeiden ja määräysten noudattaminen laiminlyödään, siitä voi olla seurauksena vakavia loukkaantumisia ja / tai aineellisia vahinkoja.

**Säilytä kaikki turvallisuusohjeet ja käyttöohjeet vastaisuuden varalle!**

**VAROITUS! TAKAISKUVOIMAT!**

Korkeissa työpaineissa voi esiintyä takaiskuvoimia, joista voi aiheutua vaara jatjuvassa rasituksessa.

**⚠ VAROITUS! TUKEHTUMISVAARA!**  
**Typen käsittelystä voi aiheutua tukehtumisvaara!** Työskentele tästä syystä vain hyvin tuuletetuissa tiloissa!

**⚠ VAROITUS! LOUKKAANTUMISVAARA!**  
 Älä milloinkaan ylitä suurinta sallittua 3 barin työpainetta. Käytä työpaineen asetuksessa paineensäädintä.

■ **LOUKKAANTUMISVAARA! MÄÄRÄYSENTENVASTAINEN KÄYTTÖ!** Älä suuntaa laitetta ihmisiä ja /tai eläimiä kohti.

■ **RÄJÄHDYS-/TULIPALOVAARA – TUPAKOINTI KIELLETTY!** Älä sytytä kipinöintiä äläkä avotulta.

**⚠ VAROITUS! LOUKKAANTUMISVAARA!**  
 Älä koskaan käytä happea tai muita palavia kaasuja energialähteenä.

**⚠ VAROITUS! LOUKKAANTUMISVAARA!**  
**Irrota ensin letku ilmanpainelähteestä ja poista vasta sitten syöttöletku laitteesta.** Näin vältät syöttöletkun kontrolloimattoman pyörimisen sinne tänne ja sen takaiskun.

■ **Käytä henkilökohtaiseksi turvallisuudeksi soveltuvia suojarusteita.**  
 Käytä hengityssuojainta aktiivihiihtosuodattimella sekä suojalaseja.

■ **Pidä lapset ja muut henkilöt loitolla laitteesta sen ollessa käytössä.** Jos keskittymisesi häiriintyy, voit menettää laitteen hallinnan.

■ **Irrota laite paineilmalähteestä ennen korjaus- ja kunnossapitotöihin ryhtymistä sekä käytön keskeytystä ja ennen laitteen kuljetusta.**

■ **Pidä letku tukevasti kädessäsi, kun irrotat letkun kytkimen, näin vältät loukkaantumiset, jotka letkun takaisku voi aiheuttaa.**

■ **Varo vaurioittamasta laitetta.** Tarkista ennen laitteen käyttöönottoa, ettei laitteessa mahdollisesti ole vaurioita. Jos havaitset laitteessa vaurioita, sitä ei missään tapauksessa saa ottaa käyttöön.

■ **Älä taita laitteen letkua mutkalle.** Letku voi vaurioitua.

■ **Noudata ruiskutettavan aineen valmistajan turvallisuusohjeita.**

■ **Ole aina tarkkaavainen, tarkista aina mitä teet ja toimi järkevästi laitteella työskennellessäsi.** Älä käytä laitetta,

**jos olet väsynyt tai käyttänyt huumeita, alkoholia tai lääkkeitä.**

■ **Älä poista laitteen tyyppikilpiä, ne ovat laitteen turvallisuuden kannalta tärkeä tekijä.**

■ **Jos olet kokematon laitteen käytössä, on koulutus laitteen vaarattomassa käsittelyssä suositeltavaa.**

## ● Alkuperäiset varusteet / -lisälaitteet

■ **Käytä vain varusteita ja lisälaitteita, jotka on ilmoitettu käyttöohjeessa.**

Muiden kuin käyttöohjeessa suositeltujen varusteiden käyttö voi aiheuttaa loukkaantumisriskin.

## ● Hienoruiskujärjestelmien turvallisuusohjeet

■ **Pidä työskentelyalueesi puhtaana, hyvin valaistuna äläkä säilytä siinä maali- tai liuotinsäiliöitä, riepua tai muita palavia aineita.** Mahdollinen itse-sytytyksen vaara. Pidä toimiva palosammutin / sammutuskalusto aina saatavilla.

■ **Huolehdi hyvästä tuuletuksesta ruiskutusalueella ja tarvittavasta raittiin ilman saannista koko tilassa.** Haihtuvat syttyvät liuottimet muodostavat räjähdysalttiin ympäristön.

■ **Älä käytä ruiskutukseen tai puhdistukseen aineita, joiden leimahduspiste on alle 21 °C.** Käytä vesipohjaisia aineita, vaikeasti haihtuvia hiilivety-pohjaisia tai muita vastaavia aineita. Helposti haihtuvat liuottimet muodostavat räjähdysalttiin ympäristön.

■ **Älä ruiskuta lähellä sytytyslähteitä, kuten staattiset sähkökipinät, avotuli, sytytysliekit, kuumat esineet, moottorit, savukkeet tai kipinät, jotka syntyvät sähköjohtojen liittämisestä tai irrottamisesta tai katkaisijoiden käytöstä.**

Tällaiset kipinälähteet voivat sytyttää ympäristön ilman.

■ **Älä ruiskuta mitään aineita, joiden vaarallisuus ei ole sinulle tunnettu.**

Tuntemattomat aineet voivat johtaa vaarallisiin tilanteisiin.

- **Käytä lisäksi henkilökohtaista suojava- rustusta, kuten asianmukaisia suojakä- sineitä ja suoja- tai hengityksenaamaria, kun ruiskutat tai käsittelet kemikaaleja.** Kyseisiin olosuhteisiin soveltuvan suojarustuksen käyttö vähentää altistumisen vaarallisille aineille.
- **Älä ruiskuta itseäsi, muita henkilöitä tai eläimiä kohti. Pidä kätesi ja muut kehon osat loitolla suihkusäteestä.** Jos suihkusäde tunkeutuu ihon läpi, tulee välittömästi turvautua lääkärin apuun. Ruiskutettava aine voi tunkeutua ihoon jopa käsineen läpi ja jou- tua kehoosi.
- **Älä käsittele ruiskutusvammaa taval- lisen viillon tavoin. Korkeapainesäde voi ruiskuttaa myrkkyaaineita kehoon ja johtaa vakaviin vammoihin.** Jos suihku tunkeutuu ihon läpi, tulee välittömästi turvautua lääkärin apuun.
- **Ota huomioon ruiskutettavan aineen mahdolliset vaarat. Ota huomioon astiassa olevat merkinnät tai ruisku- tettavan aineen valmistajan tiedot ja noudata kehotusta käyttää henkilö- kohtaisia suojarusteita.** Valmistajan ohjeita on noudatettava tarkasti, tulipalon, myrkkujen, karsinogeenien jne. aiheuttamien vammojen vähentämiseksi.
- **Älä koskaan suihkuta ilman että suu- tinpää on asennettu paikoilleen.** Kun käytät erityistä suutinta ja siihen sopivaa suutin- päätä pienenee todennäköisyys, että korkea- painesuihku tunkeutuu ihon läpi ja ruiskuttaa myrkyä kehoon.

## ● Käyttöönotto

### ● HVLP-ominaisuudet

Laitteessa on HVLP-järjestelmä (High Volume Low Pressure). Se huolehtii korkeasta (väri-) materiaalin levityksestä pienellä kulutuksella.

**Tärkeää:** Älä ylitä maksimi 3 barin käyttöpainetta.

### ● Laitteen liitäntä

- Laitetta saadaan käyttää ainoastaan puhdistetulla, öljyttömällä ja lauhteettomalla paineilmalla ja maksimi 3 barin työpainetta ei saa ylittää laitteella.
- Jotta voisit säätää ilmanpaineen, paineilmalähteen on oltava varustettu (suodatin)-paineensäätimellä.

Tarvitset tämän laitteen käyttöön joustavan paineilmaletkun pikakytkimellä ja vastaavan paineilmalähteen. Noudata paineilmalähteen käyttö- ja turvallisuusohjeita ja erityisiä maalinvalmistusohjeita.

**Huomautus:** Tarkista, että työpaine on oikea.

Liian korkea työpaine johtaa liian voimakkaaseen hienojakoon, josta on seurauksena liian nopea nesteen haihtuminen. Pinnat tulevat karheiksi ja niiden kiinnittymisominaisuudet huononevat. Mikäli taas työpaine on liian alhainen, väriainetta ei ruiskuunnu riittävästi. Seurauksena ovat aaltomaiset pinnat ja pisarojen muodostuminen.

- Liitä paineilmaletku pikakytkimellä laitteen paineilmaliitäntään **6**. Lukitus tapahtuu automaattisesti.
- Aseta paineilmalähteen suodatinpaineensäätäjällä työpaine 3 bariin.

### ● Ruiskutettavan pinnan valmistelu

- Peitä ruiskutettavan pinnan ympäristö riittävän laajalti ja perusteellisesti. Muuten kaikki peittämättömät pinnat saattavat likaantua.
- Tarkista, että ruiskutettava pinta on puhdas, kuiva eikä siinä ole rasvaa.
- Karhenna sileät pinnat ja poista tämän jälkeen hiomapöly.

### ● Laitteen päälle- / poiskytkentä

#### Työohjeet:

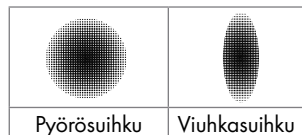
- Aseta suodatin pistooliin (kuva C).
- Avaa työvaiheen aikana ilmanvaihto **1**.
- Tarkista ohennettaessa, että ruiskutettava aine ja ohenne sopivat yhteen. Jos käytät väärää ohennetta, voi syntyä paakkuja, jotka saattavat tukkia pistoolin.




- Ruuvaa maaliastia [3] kiinni pistooliin myötöpäivään kiertämällä.
  - Täytä ruiskutettavaa ainetta maaliastian [3] ja ruuvaa kansi [2] kiinni.
  - Pidä maali ruiskutuspistoolia aina samalla etäisyydellä ruiskutettavasta kohteesta. Ihanteellinen ruiskutusetäisyys on noin 15 cm.
  - Määrää kulloinkin sopivat etäisyydet kokeilemalla.
  - Älä kytkä laitetta pois ruiskutuspinna päälle / pois toiminnolla, vaan aloita ja päättää ruiskutus aina noin 10 cm ruiskutettavan pinnan ulkopuolella.
- Paina käynnistystä varten liipaisuvipu [8] ja pidä se painettuna.
  - Päästä liipaisuvipu [8] taas irti, kun haluat päättää käytön.

## ● Värisuihkun säätö


Laitteessa on kaksi säätöä pyörösuihku ja viuhkasuihku.



### Pyörösuihkun säätö:

- Käytä pyörösuihku esimerkiksi pienillä pinnoilla, kulmissa ja reunoissa.
- Kierrä säädintä [5] myötöpäivään .

### Viuhasuihkun säätö:

- Käytä viuhkasuihku suuremmilla pinnoilla pysty- ja vaakasuorassa.
  - Kierrä säädintä [5] vastapäivään .
- Suutinpää [9] voidaan kiertämällä säätää portaattomasti vaaka- ja pystysuorassa haluttuun asentoon.

## ● Maalimäärän säätö

**Huomautus:** Etummaisen lukitusruuvien tehtävänä on rajoittaa värimäärän säätöruuvien [4] säätöaluetta.

### Maalimäärän kohottaminen:

- Kierrä maalimäärän säätöruuvia [4] vastapäivään.

### Maalimäärän alentaminen:

- Kierrä maalimäärän säätöruuvia [4] myötöpäivään.

## ● Ilmamäärän säätö

**Huomautus:** On suositeltavaa aloittaa maksimi ilmamäärällä. Avaa tätä varten ilmamäärän säädin [7] maksimi säätöön asti, kuten seuraavassa kapaleessa „Ilmamäärän kohottaminen“ on kuvattu.

### Ilmamäärän kohottaminen:

**Huomautus:** Ilmamäärän kohottaminen on normaalisti suositeltavaa, kun kyse on karkeammasta sumutuksesta.

- Kierrä ilmamäärän säädintä [7] vastapäivään.

### Ilmamäärän alentaminen:

**Huomautus:** Ilmamäärän alentaminen on normaalisti suositeltavaa, kun kyse on liian voimakkaasta värisumusta.


- Kierrä ilmamäärän säädintä [7] myötöpäivään.

## ● Huolto ja puhdistus



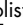

**Huomio:** Perusteellinen puhdistus jokaisen käytön jälkeen on hyvin tärkeää turvallisuuden ja käytön kannalta.

Muutoin esimerkiksi piikki saattaa tukkeentua eikä laitteen moitteetonta toimintaa voida enää taata.


- Käytä puhdistuksessa sopivia suojakäsineitä.
- Älä käytä hiilivetyipitoisia halogeeni-liuotinaineita kuten trikloorimetyyliä, etyylikloridia tms., sillä ne reagoivat kemiallisesti joidenkin väripistoolissa käytettyjen materiaalien kanssa. Tämä saattaa johtaa vaarallisiin reaktioihin.

 **HUOMIO!** Älä koskaan upota väripistoolia liuotinaineeseen.

- Suihkuta jokaisen käytön jälkeen ohennusainetta (**vain ulkona-räjähdyvaaran vuoksi!**) tai vettä laitteen läpi.

- Käytä kotelon, suuttimenpään [9] ja sen sisällä olevien suihkutusreikien puhdistukseen mukana toimitettua puhdistusharjaa tai liinaa. Älä käytä koskaan bensiiniä, liuotinaaineita tai puhdistusaineita, jotka syövyttävät muovia.
- Poista ensin iskunvasteruuvi [4] vastapäivään kiertämällä .
- Poista jousi [11].
- Poista piikki [10] pihtien avulla (kts. kuva A).
- Puhdista piikki [10] huolellisesti harjalla [12], katso myös kuva B.
- Aseta piikki [10] takaisin väripistooliin.
- Aseta jousi [11] piikin [10] päähän.
- Kiinnitä iskunvasteruuvi [4] takaisin paikoilleen myötäpäivään kääntämällä .
- Irrota nestesäiliö [3] kiertämällä sitä vastapäivään  väripistoolista.
- Irrota suodatin [13] kuten kuvassa C näytetään ja puhdista se harjalla.
- Puhdista myös nestesäiliön [3] sisäpuolella oleva ruuvikierre [14] harjalla (kts. kuva D).
- Aseta suodatin takaisin väripistooliin (kts. kuva C) ja kierrä nestesäiliö [3] myötäpäivään  jälleen tiukalle.
- Puhdistuksen jälkeen voit suihkuttaa laitteeseen ompelukoneöljyä, joka suojaa sitä ruosteelta.
- Voitele kaikki liikkuvat osat silloin tällöin öljyllä.
- Kun olet puhdistanut piikin, kierre ja tiivistys täytyy käsitellä kevyesti rasvalla.
- Älä käytä silikonipitoisia voiteluaineita.
- Säilytä paineilmalaitteita vain kuivissa tiloissa.

## ● Huolto

-  **VAROITUS!** Anna ainoastaan pätevä alan ammattihenkilön korjata paineilmaakäyttöiset laitteet vain alkuperäisiä varaosia käyttäen. Tällä taataan, että laite on käytössä aina turvallinen.

## ● Takuu

**Laitteen takuu on 3 vuotta ostopäivästä. Laitte on valmistettu huolellisesti ja tarkistettu tarkasti ennen toimitusta. Säilytä ostokuitti todisteeksi takuun voimassaolosta.**

## **Ota takuutapauksessa puhelimitse yhteyttä huoltopisteeseesi. Vain näin voidaan taata tuotteesi maksuton lähettäminen huoltoon.**

Takuu koskee ainoastaan materiaali- ja valmistusvirheitä, ei kuitenkaan kuljetusvaurioita, kuluvia osia tai herkästi vaurioituvien osien, esim. kytkinten tai akkujen vaurioita. Tuote on tarkoitettu ainoastaan yksityiseen, ei kaupalliseen käyttöön.

Väärä tai asiaton käyttö, väkivallan käyttö ja muiden kuin valtuutetun huoltopisteen suorittamat korjaukset aiheuttavat takuun raukeamisen. Tämä takuu ei rajoita kuluttajan lakisäteisiä oikeuksia.

Takuukorjaus ei pidennä takuuaikaa. Tämä koskee myös vaihdettuja ja korjattuja osia. Mahdollisista juostettaessa olemassa olevista vahingoista ja puutteista on ilmoitettava välittömästi pakkauksesta purkamisen jälkeen, kuitenkin viimeistään kaksi päivää ostopäiväyksen jälkeen. Takuuajan jälkeen suoritettavat korjaukset ovat maksullisia.

## FI

### Huolto Suomi

**Tel.: 010309 3582**

**e-mail: [kompernass@lidl.fi](mailto:kompernass@lidl.fi)**

**IAN 89567**

## ● Hävittäminen



Pakkaus on valmistettu ympäristöystävällisistä kierrätettävistä materiaaleista.

Lisätietoja antavat mm. paikalliset ympäristöviranomaiset.

## **Ympäristöystävällisyys ja aineiden hävitys:**

- Maalit, lakat .... ovat ongelmajätteitä, jotka on hävitettävä määräysten mukaisesti.
- Noudata paikallisia määräyksiä.
- Noudata valmistajan antamia ohjeita.
- Ympäristölle haitallisia kemikaaleja ei saa päästää maaperään, pohjaveteen eikä vesistöön.

- Ruiskutustyöt vesistöjen tai niiden lähialueiden läheisyydessä (valuma-alue) eivät ole tästä syystä sallittua.
- Huomioi maalien, lakkojen... hankinnassa niiden ympäristöystävällisyys.

## ● Vaatimustenmukaisuusvakuutus / Valmistaja CE

Me, KOMPERNASS GMBH, dokumentoinnista vastaava: herra Semi Uguzlu, BURGSTR. 21, 44867 BOCHUM, GERMANY, vakuutamme täten, että tämä tuote vastaa seuraavia standardeja, normatiivisia dokumentteja ja EY-direktiivejä:

### **Konedirektiivi (2006 / 42 / EC)**

### **Sovelletut harmonisoidut normit**

DIN EN 1953:1998+A1:2009

(EN 1953:1998+A1:2009)

### **Tyyppi / Laitekuvaus:**

Paineilmakäyttöinen maaliruisku PDPF 500 A1

**Date of manufacture (DOM): 04-2013**

**Sarjanumero: IAN 89567**

Bochum, 30.04.2013



Semi Uguzlu  
- Laatu manageri -

Pidätämme oikeuden muutoksiin.



**Inledning**

Avsedd användning .....	Sidan 22
De olika delarna .....	Sidan 22
Leveransens omfattning .....	Sidan 22
Tekniska data .....	Sidan 22

**Säkerhetsanvisningar**

Originaltillbehör/-extra utrustning .....	Sidan 23
Säkerhetsanvisningar för finspraysystem .....	Sidan 23

**Idrifttagning**

HVLP-egenskaper .....	Sidan 24
Ansluta produkt .....	Sidan 24
Förbereda sprayyta .....	Sidan 24
Starta / stänga av produkt .....	Sidan 24
Ställa in färgstråle .....	Sidan 25
Reglera färgmängd .....	Sidan 25
Reglera luftmängd .....	Sidan 25

**Underhåll och rengöring**

.....	Sidan 25
-------	----------

**Service**

.....	Sidan 26
-------	----------

**Garanti**

.....	Sidan 26
-------	----------

**Avfallshantering**

.....	Sidan 26
-------	----------

**Konformitetsdeklaration / Tillverkarintyg**

.....	Sidan 27
-------	----------

## Färgpistol tryckluft PDFP 500 A1

- 13 Filter
- 14 Innergånga (överliggande bågare)

### ● Inledning

Vi gratulerar till köpet av den nya apparaten. Du har köpt en högklassig produkt. Bruksanvisningen hör till produkten. Den innehåller viktiga anvisningar för säkerhet, användning och avfallshantering. Läs säkerhetsanvisningarna och monteringsanvisningen innan du använder produkten. Använd produkten endast enligt beskrivningen och endast för de angivna ändamålen. Se till att bruksanvisningen alltid finns tillgänglig även vid vidare användning av tredje man.

### ● Avsedd användning

Det tryckluftsdrivna färgsprayssystemet är endast avsett för sprayarbeten med lösningsmedelshaltiga och vattenförtunnade lackfärger, lasurer, grunderingar, klarlack, fordonslack, bets, träskyddsmedel, växtskyddsmedel, olja och desinfektionsmedel. Produkten är inte lämplig för bearbetning med dispersions- och latexfärger, lut, syrahaltiga täckningsmaterial, kornig och grynhaltiga spraymaterial samt spray- och dopphämmade material. Varje annan användning gäller som icke avsedd användning och kan medföra allvarliga olycksfallsrisker. Tillverkaren ansvarar inte för skador vilka kan härledas ur felaktig hantering. Produkten är endast avsedd för privat bruk.

### ● De olika delarna

- 1 Ventilation
- 2 Lock överliggande bågare
- 3 Överliggande bågare
- 4 Stoppskruv (materialmängdreglering)
- 5 Reglage för rund eller bred sprutstråle
- 6 Tryckluftsanslutning
- 7 Reglage för inställning av luftmängd
- 8 Avtryckare
- 9 Munstyckshuvud
- 10 Nål
- 11 Fjäder
- 12 Borste

### ● Leveransens omfattning

- 1 färgpistol tryckluft PDFP 500 A1
- 1 behållare
- 1 lock för behållare
- 1 rengöringsborste
- 1 filter
- 1 bruksanvisning

### ● Tekniska data

Nödvändig luftkvalitet:	ren, kondensat- och oljefri
Luffförbrukning:	max. 380 l/min
Arbetstryck:	max. 3 bar
Volymflöde:	typiskt 130–160 ml/min.
Munstyckets storlek:	Ø 1,4 mm
Behållare:	500 ml
Rekommenderad viskositet:	15 DIN-sek.
Ljudtrycksnivå:	64 dB(A)
Ljudeffektnivå:	76 dB(A)
Mätvärde bestämt enligt EN 14462 (EN1953/A1:2009).	

### ● Säkerhetsanvisningar



**⚠ VARNING!** Läs alla säkerhetsanvisningar och övriga anvisningar. Icke beaktande av säkerhetsanvisningar och övriga anvisningar kan medföra allvarliga personskador och / eller materialskador.

### Förvara alla säkerhetsinstruktioner och anvisningar för framtida behov!

**⚠ VARNING! RISK FÖR BAKSTÖT!** Bakstötter kan förekomma vid höga arbetstryck, vilket under vissa omständigheter kan medföra risker med kontinuerlig belastning.

**⚠ VARNING! LIVSFARA! Risk för kvävning föreligger vid arbete med kväve!** Arbeta därför alltid i väl ventilerade rum.

**⚠ VARNING! RISK FÖR PERSONSKADOR!**

Överstig aldrig maximalt tillåtet arbetstryck på 3 bar. Använd en tryckreduceringsventil för att ställa in arbetstrycket.

- **RISK FÖR PERSONSKADOR! MISSBRUK-LIG ANVÄNDNING!** Rikta inte produkten mot människor och / eller djur.

- **EXPLOSIONS- / BRANDFARA-RÖKNING FÖRBJUDEN!** Inga gnistor eller öppen eld.

**⚠ VARNING! RISK FÖR PERSONSKADOR!**

Använd aldrig syre eller annan brännbar gas som energikälla.

**⚠ VARNING! RISK FÖR PERSONSKADOR!**

Lossa alltid slangen från tryckluftskällan och lossa därefter försörjningsslangen från verktyget. Så undviker man att försörjningsslangen kan slå tillbaka utan kontroll.

- **Använd personlig skyddsutrustning.** Använd andningsskydd med aktivt kolfilter och skyddsglasögon!
- **Håll barn och andra personer på avstånd när verktyget används.** Du kan förlora kontrollen över verktyget om du störs.
- Koppla loss produkten från tryckluftskällan före reparations- och underhållsarbeten, arbetspauser eller transport.
- Håll en stadigt tag om slangen när slangkopp-lingen lossas för att undvika skador pga en fjädrande slang.
- **Arbeta skadefritt.** Kontrollera verktyget på eventuella skador innan arbetet börjar. Använd inte verktyget under några omständigheter om verktyget uppvisar brister eller skador.
- Vik eller böj inte verktygets slang. Risk för skador föreligger.
- Läs säkerhetsanvisningar från färgsprayets tillverkare.
- **Se till att du vet vad du gör och använd sunt förnuft.** Använd inte produkten när du är trött, berusad eller har druckit alkohol eller tagit droger eller medicin.
- Ta inte bort typskyltar, dessa är säkerhetsrelevanta beståndsdelar av produkten.
- Om du är oerfaren med hanteringen av produkten, bör du lära dig hur man hanterar produkten utan risk.

● **Originaltillbehör / -extra utrustning**

- **Använd alltid tillbehör och extra utrustning enligt anvisningarna i bruksanvisningen.** Användning av andra delar än tillbehör som inte rekommenderas i denna instruktion kan medföra personskador.

● **Säkerhetsanvisningar för finspraysystem**

- **Håll arbetsområdet rent, väl belyst och fritt från färg- eller lösningsmedel-behållare, trasor eller andra brännbara material.** Risk för självantändning. Håll alltid funktionsdugliga brandsläckare / släckningsutrustning tillgängliga.
- **Säkerställ god ventilation inom sprayområdet och tillräcklig mängd friskluft i hela arbetsrummet.** Dunstande brännbara lösningsmedel genererar explosiv miljö.
- **Spraya och rengör inte material där flampunkten ligger under 21 °C.** Använd endast vattenbaserade material, trögflyktiga kolväten eller liknande material. Lättflyktiga dunstande lösningsmedel genererar explosiv miljö.
- **Spraya inte i närheten av tändkällor som statisk elektricitet, öppen eld, tändflamma, heta föremål, motorer, cigaretter och gnistor från instuckna eller utdragna strömkablar eller hantering av brytare.** Dessa gnistor kan medföra antändning i omgivningen.
- **Spraya inte material där riskerna inte är kända.** Okända material kan medföra farlig arbetsmiljö.
- **Använd personlig skyddsutrustning som lämpliga skyddshandskar, skydds- eller andningsmask vid sprayarbeten eller hantering med kemikalier.** Användning av skyddsutrustning för arbetsmiljön reducerar risker för farliga substanser.
- **Spraya aldrig mot dig själv eller mot andra personer eller djur. Håll händerna och övriga kroppsdelar borta**

**från spraystrålen.** Kontakta omedelbart läkare om spraystrålen tränger genom huden. Spraymedlet kan även tränga genom en handsk och nå huden och kroppen.

- **Behandla inte ett insprutningssår som ett vanligt skärsår. En högtrycksstråle kan medföra att gift tränger in i kroppen och förorsaka allvarliga skador.** Kontakta omedelbart läkare om spraystrålen tränger genom huden.
- **Var uppmärksam på eventuella risker i samband med spraymaterialet. Följ markeringarna på behållaren eller spraymaterialets tillverkarinformation och uppmaningen att använda personlig skyddsutrustning.** Tillverkarens instruktioner skall följas för att reducera skaderisken pga eld, gift, cancerframkallande ämnen osv.
- **Spraya aldrig utan monterat munstycke.** Användning av speciell munstycksinsats med passande munstycke minskar sannolikheten att en högtrycksstråle tränger genom huden och sprutar gift in i kroppen.

## ● Idrifttagning

### ● HVLP-egenskaper

Denna produkt har ett HVLP-system (High Volume Low Pressure). Detta ger en ökat (färg) materialskikt med låg förbrukning.

**Viktigt:** Överskrid inte maximalt arbetstryck på 3 bar.

### ● Ansluta produkt

- Produkten får endast användas med ren, oljefri tryckluft och får inte överstiga det maximala arbetstrycket på 3 bar.
- Tryckluftskällan måste vara utrustad med en tryckreduceringsventil för att kunna reglera lufttrycket.

Du behöver en flexibel tryckluftssläng med snabbkoppling och motsvarande tryckluftskälla för att kunna använda produkten.

Läs tryckluftskällans drifts- och säkerhetsanvisningar och speciella anvisningar för färgarbeten.

**Obs:** Använd korrekt arbetstryck. För högt arbetstryck medför stark finfördelning och ger en för snabb vätskeförundstning. Ytorna blir grova och har dåliga häftningsegenskaper. Om arbetstrycket är för lågt, fördelas inte färgmaterialet korrekt.

Ojämn yta och droppar uppstår.

- Anslut tryckluftsslängen med snabbkopplingen till tryckluftsanslutningen **6** på produkten. Låsningen sker automatiskt.
- Ställ in arbetstrycket till 3 bar med tryckluftskällans filterreduceringsventil.

## ● Förbereda sprayyta

- Täck över kring sprayytan över ett större område och grundligt. Alla icke övertäckta ytor kan annars bli smutsiga.
- Se till att spray ytan är ren, torr och fettfri.
- Rugga upp glatta ytor och ta sedan bort slipdammet.

## ● Starta / stänga av produkt

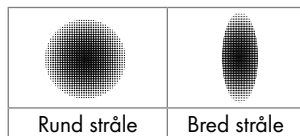
### Arbetstips:

- Sätt in filtret i färgpistolen (se bild C).
  - Öppna avluftningen **1** under arbetet.
  - Se till att spraymaterial och förtunning passar ihop vid förtunningen. Vid användning av felaktig förtunning kan klumpar uppstå som blockerar spraypistolen.
  - Skruva fast behållaren **3** medsols på pistolen.
  - Fyll spraymaterial i behållaren **3** och skruva fast locket **2**.
  - Håll färgspraypistolen på lagom avstånd från arbetsstycket. Idealiskt sprayavstånd är ca. 15 cm.
  - Bestäm inställningarna genom att göra sprayförsök.
  - Starta inte eller stäng av verktyget direkt över sprayytan utan starta eller stäng av sprayning- en ca. 10 cm utanför sprayytan.
- Tryck spaken **8** och håll den tryckt för att starta.
  - Släpp spaken **8** för att avsluta användningen.



## ● Ställa in färgstråle

Produkten har inställningar för rund stråle och bred stråle.



### Ställa in rund stråle:

- Använd rund stråle för t.ex. små ytor, hörn och kanter.
- Vrid reglaget **5** medsols **C**.

### Ställa in bred stråle:

- Använd bred stråle vertikalt och horisontellt på stora ytor.
- Vrid reglaget **5** motsols **C**. Munstyckshuvudet **9** kan ställas in vertikalt och horisontellt genom att vrida steglöst till önskad position.

## ● Reglera färgmängd

**Obs:** Den främre låsskruven används för att begränsa slagskruvens **4** inställningsområde.

### Öka färgmängd:

- Vrid slagskruven **4** motsols.

### Minska färgmängd:

- Vrid slagskruven **4** medsols.

## ● Reglera luftmängd

**Obs:** Vi rekommenderar att börja med maximal luftmängd. Öppna luftmängdsregleringen **7** enligt nedan „Öka luftmängd“ till maximal inställning.

### Öka luftmängd:

**Obs:** Ökad luftmängd rekommenderas för grov fördelning.

- Vrid luftmängdsregleringen **7** motsols.

## Minska luftmängd:

**Obs:** Minskad luftmängd rekommenderas för stark färgdimma.

- Vrid luftmängdsregleringen **7** medsols.

## ● Underhåll och rengöring

**Hänvisning:** En noggrann rengöring efter varje användning är mycket viktig för säkerhet och drift. Utan rengöring täpps nålen till och apparaten fungerar inte längre korrekt.

- Vid rengöring måste lämpliga skyddshandskar användas!
- Använd inga halogenhaltiga lösningsmedel innehållande kolväte som triklorometyl, etylklorid osv., då det uppstår kemiska reaktioner med vissa material i färgpistoler. Detta kan leda till farliga reaktioner.

**⚠ SE UPP!** Läggs aldrig färgpistolen helt i lösningsmedel.

- Spruta förtunningsmedel resp. vatten genom apparaten efter varje användning (**explosionsrisk endast ute i det fria!**).
- För rengöring av hölje, munstyckets huvud **9** och de hål som finns där, bör man använda den medföljande rengöringsborsten eller en duk. Undvik under alla förhållanden bensin, lösningsmedel eller rengöringsmedel som angriper plast.
- Skruva först loss stoppskruven **4** genom att vrida den motsols **C**.
- Ta bort fjädern **11**.
- Ta bort nålen **10** med hjälp av en tång (se bild A).
- Rengör nålen **10** noggrant med borsten **12**, se även bild B.
- Sätt åter in nålen **10** i färgpistolen.
- Sätt fjädern **11** på ändan av nålen **10**.
- Skruva åter fast stoppskruven **4** genom att vrida den medsols **C**.
- Skruva loss den överliggande bägaren **3** motsols **C** från färgpistolen.
- Ta bort filtret **13** enligt bild C och rengör det med rengöringsborsten.
- Rengör även bägarens **3** inngång **14** med rengöringsborsten (se bild D).
- Sätt tillbaka filtret i pistolen (se bild C) och skruva fast behållaren **3** medsols **C** på denna.

- Som extra rostskydd kan du efter rengöringen spruta igenom symaskinsolja.
- Smörj alla rörliga komponenter regelbundet med olja.
- Efter rengöring av nålen måste gängor och packningar behandlas med fett.
- Använd inga smörjmedel som innehåller silikon.
- Tryckluftsapparater får endast förvaras i torra utrymmen.

## ● Service

- **⚠ VARNING!** Låt endast behörig personal reparera tryckluftsdrivna produkter och använd endast original-reservdelar. Detta säkerställer säkerheten för produkterna.

## ● Garanti

**För den här apparaten lämnar vi tre års garanti från och med inköpsdatum. Den här apparaten har tillverkats med omsorg och genomgått en noggrann kontroll innan leveransen. Var god bevara kassakvittot som köpbevis. Vi ber dig att kontakta ditt serviceställe per telefon vid garantifall. Endast då kan produkten skickas in fraktfritt.**

Garantin gäller bara för bara för material- eller fabriktionsfel, den täcker inte transportskador, förslijtningsdelar eller skador på ömtåliga delar som t ex brytare och batterier. Produkten är endast avsedd för privat bruk och får inte användas yrkesmässigt.

Vid missbruk och felaktig behandling, användande av våld och vid ingrepp som inte gjorts av vår auktoriserade servicefilial upphör garantin att gälla. Den lagstadgade garantin begränsas inte av denna garanti.

Garantitiden förlängs inte för att man utnyttjar garantiförmånerna. Det gäller även för utbytta eller reparerade delar. Eventuella skador och brister som upptäcks redan vid köpet måste anmälas omedelbart efter upppackningen, dock senast två dagar efter

inköpsdatum. När garantitiden är slut måste man betala för eventuella reparationer.

### SE

#### Service Sverige

Tel.: 0770 930739

e-mail: [kompennass@lidl.se](mailto:kompennass@lidl.se)

**IAN 89567**

### FI

#### Service Suomi

Tel.: 010309 3582

e-mail: [kompennass@lidl.fi](mailto:kompennass@lidl.fi)

**IAN 89567**

## ● Avfallshantering



Förpackningen består av miljövänligt material som kan avfallshanteras vid lokala återvinningsställen.

Kontakta miljökontoret på din ort för vidare information om avfallshantering av förbrukad utrustning.

### Miljöhantering och avfallshantering av material:

- Avfallshandera färg, lack... som specialavfall.
- Följ lokala föreskrifter.
- Läs tillverkarens instruktioner.
- Miljöskadliga kemikalier får inte hällas ut på marken, vid grundvatten eller vattendrag.
- Sprayarbeten är inte tillåtna i närheten av vattendrag eller närliggande områden (skyddat område).
- Använd miljövänlig färg eller lack...

● **Konformitetsdeklaration /  
Tillverkarintyg CE**

Vi, KOMPERNASS GMBH, dokumentansvarig:  
Herr Semi Uguzlu, BURGSTR. 21, 44867 BOCHUM,  
GERMANY, förklarar härmed att detta produkt  
motsvarar följande normer, normade dokument och  
EU-direktiv:

**Maskindirektiv  
(2006 / 42 / EC)**

**använda harmoniserade normer**

DIN EN 1953:1998+A1:2009  
(EN 1953:1998+A1:2009)

**Typ / Beteckning:**

Färgpistol tryckluft PDPF 500 A1

**Date of manufacture (DOM): 04-2013**

**Serienummer: IAN 89567**

Bochum, 30.04.2013



Semi Uguzlu

- Kvalitetsmanager -

Rätt till tekniska ändringar för fortsatt  
produktutveckling förbehålles.



**Indledning**

Brug efter bestemmelsen.....	Side 30
Udstyr.....	Side 30
Samlet levering.....	Side 30
Tekniske specifikationer.....	Side 30

**Sikkerhedshenvisninger** ..... Side 30

Originaltilbehør / -ekstraapparater .....	Side 31
Sikkerhedshenvisninger for finsprøjtesystemer .....	Side 31

**Ibrugtagen**

HVLP-egenskaber .....	Side 32
Apparatet tilsluttes.....	Side 32
Sprøjtefladen forberedes.....	Side 32
Apparatet tændes / slukkes .....	Side 32
Farvestrålen indstilles .....	Side 33
Farvemængde reguleres.....	Side 33
Luftmængde reguleres .....	Side 33

**Vedligeholdelse og rengøring** ..... Side 33**Service** ..... Side 34**Garanti** ..... Side 34**Bortskaffelse** ..... Side 34**Konformitetserklæring / Fremstiller** ..... Side 35

## Trykluft-farvesprøjte PDFP 500 A1

### ● Indledning

Vi ønsker dig tillykke med købet af dit nye produkt. Du har besluttet dig for et produkt af høj kvalitet. Brugervejledningen er en del af dette produkt. Den indeholder vigtige informationer om sikkerhed, brug og bortskaffelse. Gør dig inden ibrugtagning af produktet fortrolig med alle betjenings- og sikkerhedsanvisninger. Benyt kun produktet som beskrevet og til de oplyste formål. Videregiv alle papirer, hvis du giver produktet videre til tredjemand.

### ● Brug efter bestemmelsen

Det trykluftdrevne apparat er udelukkende beregnet til påføring / forstøvning af lak, lasurer, grunderinger, klarlak, køretøjslak, bejdse, træbeskyttelsesmidler, plantebeskyttelsesmidler, olier og desinfektionsmidler, som indeholder løsningsmidler og kan fortyndes med vand. Apparatet er ikke egnet til forarbejdning af dispersions- og latex-malinger, lud, coatinger, som indeholder syrer, sprøjtematerialer, som indeholder korn og legemer samt materialer, som er sprøjte- og dryppehæmmet. Enhver anden anvendelse eller ændring af apparatet gælder som værende i strid med formålet og frembyder risiko for alvorlige uheld. For skader som følge af formålsstridig anvendelse påtager vi os intet ansvar. Apparatet er kun beregnet til privat anvendelse.

### ● Udstyr

- 1 Udluftning
- 2 Låg Flydebæger
- 3 Flydebæger
- 4 Anslagsskrue (Farvemængderegulering)
- 5 Regulator til rund-/ fladstål
- 6 Tryklufttilslutning
- 7 Regulator til luftmængderegulering
- 8 Udrykkerhåndtag
- 9 Dysehoved
- 10 Nål
- 11 Fjeder

- 12 Børste
- 13 Filter
- 14 Indvendigt skruegevind (Flydebæger)

### ● Samlet levering

- 1 Trykluft-farvesprøjte PDFP 500 A1
- 1 Bæger
- 1 Bægerlåg
- 1 Rensebørste
- 1 Filter
- 1 Betjeningsvejledning

### ● Tekniske specifikationer

Påkrævet luftkvalitet:	renset, fri for kondensat og olie
Luffforbrug:	maks. 380 l / min
Arbejdstryk:	maks. 3 bar
Gennemstrømningsvolumen:	typisk 130–160 ml / min
Dysetørrelse:	Ø 1,4 mm
Bæger:	500 ml
Anbefalet viskositet:	15 DIN / sek.
Lydtrykniveau:	64 dB(A)
Lydeffektniveau:	76 dB(A)
Måleværdi målt i henhold til EN 14462 (EN1953/A1:2009).	

### ● Sikkerhedshenvisninger



**ADVARSEL!** Læs alle sikkerhedshenvisninger og anvisninger. Forsømmelser i overholdelse af

sikkerhedshenvisninger og anvisningerne kan forårsage alvorlige kvæstelser og / eller materielle skader.

**Alle sikkerhedsinstrukser og anvisninger skal opbevares til senere brug!**

**ADVARSEL! TILBAGESTØDNINGSS-**

**KRÆFTER!** Høje arbejdspresser kan resultere i tilbageslæddningskræfter, som under omstændigheder kan resultere i farer på grund af varig belastning.

**⚠ ADVARSEL! FARE FOR KVÆLNING!**  
**Når der arbejdes med kvælstof, opstår fare for kvælning!** Arbejd derfor altid i velventilerede lokaler!

**⚠ ADVARSEL! FARE FOR KVÆSTELSER!**  
 Det maksimale arbejdsstryk på 3 bar må aldrig overskrides. Til indstilling af arbejdsstryket anvendes en trykformindsker.

■ **RISIKO FOR TILSKADEKOMST! ULOVLIG ANVENDELSE!** Ret ikke apparatet mod mennesker og / eller dyr.

■ **EKSPLOSIONS- / BRANDFARE-RYGNING FORBUDT!** Tænd ingen gnister eller åben ild.

**⚠ ADVARSEL! FARE FOR KVÆSTELSER!**  
 Anvend aldrig ilt eller andre brændbare gasser som energikilde.

**⚠ ADVARSEL! FARE FOR KVÆSTELSER!**  
**Først løsnes slangen fra trykluftkilden og først efterfølgende forsyningsslangen fra apparatet.** På den måde undgås ukontrolleret omvirkning dvs. tilbageslud af forsyningsslangen.

■ **Anvend til din personlige beskyttelse egnede kropsbeskyttelsesmidler.** Bær åndedrætsværn med aktivkulfilter og beskyttelsesbriller.

■ **Børn og andre personer holdes væk mens apparatet anvendes.** Du kan miste kontrol over apparatet hvis du distraheres.

■ Fjern apparatet fra trykluftkilden inden reparations- og vedligeholdelsesarbejder samt driftsafbrydelser og inden apparatet transporteres.

■ Hold slangen fast i hånden når slangekoblingen løsnes, for at undgå kvæstelser, fremkaldt af den tilbagefarende slange.

■ **Vær opmærksom på beskadigelser.** Kontroller apparatet før ibrugtagning for eventuelle beskadigelser. Skulle apparatet vise mangler, må det under ingen omstændigheder tages i brug.

■ Knæk ikke apparatets slange. Ellers kan denne blive beskadiget.

■ Vær venligst opmærksom på producentens sikkerhedshenvisninger om sprøjtegodset.

■ **Vær altid opmærksom, pas på, hvad De laver og gå med fornuft til værks.** Brug ingen apparater, når De er træt eller er påvirket af narkotika, alkohol eller medicin.

- Fjern ikke nogen typeskilte - de er sikkerhedsrelevante dele af apparatet.
- Hvis De er uerfaren i håndteringen af apparatet, bør De lade Dem uddanne i den risikoløse håndtering.

## ● Originaltilbehør / -ekstraapparater

- **Anvend kun tilbehør og ekstraapparater, der er nævnt i brugervejledningen.** Anvendelse af andet tilbehør, end det i brugervejledningen nævnte, kan betyde fare for kvæstelser for dig.

## ● Sikkerhedshenvisninger for finsprøjtesystemer

- **Arbejdsområdet holdes rent, velbelyst og fri for malings- eller løsningsmiddelbeholdere, klude og andre brandbare materialer.** Mulig risiko for selvantændelse. Hold til enhver tid funktionsdygtige ildslukkere / slukkeapparater til rådighed.
- **Sørg for god ventilation i sprøjteområdet og tilstrækkelig frisk luft i hele lokalet.** Fordampende brandbare løsningsmidler skaber eksplosive omgivelser.
- **Sprøjt og rens ikke med materialer, hvis flammepunkt ligger under 21 °C. Brug materialer på basis af vand, svært flygtige kulbrinte eller lignende materialer.** Let flygtige fordampende løsningsmidler skaber eksplosive omgivelser.
- **Sprøjt ikke i områder med tændelige kilder som statisk elektricitet, åbne flammer, tændflammer, varme genstande, motorer, cigaretter og gnister tilsætning og trækning af strømkabler eller betjening af knapper.** Sådanne gnistkilder kan resultere i antænding af omgivelserne.
- **Sprøjt ingen materialer, hvis farepotentiale ikke er kendt.** Ukendte materialer kan skabe farlige betingelser.

- **Bær supplerende personligt beskyttelsesudstyr som tilsvarende beskyttelseshandsker og beskyttelses- eller åndedrætsvæærn, når der sprøjtes eller håndteres kemikalier.** At bære beskyttelsesudstyr til pågældende betingelser forringer udsættelsen overfor farlige substanser.
- **Sprøjt ikke på Dem selv, andre personer eller dyr. Hold Deres hænder og andre kropsdele væk fra sprøjtestrålen.** Hvis sprøjtestrålen trænger gennem huden, søg omgående lægehjælp. Sprøjtegodset kan trænge igennem selve beskyttelseshandsken og huden og sprøjtes ind i Deres krop.
- **En indsprøjtning må ikke behandles som et enkelt snit. En højtryksstråle kan sprøjte giftstoffer i kroppen og resulter i alvorlige kvæstelser.** Søg omgående lægehjælp i tilfælde af indsprøjtning.
- **Vær opmærksom på sprøjtegodsets mulige risici. Vær opmærksom på beholderens markeringer eller informationer fra sprøjtegodsets producent, inklusive opfordringen til brug af personligt beskyttelsesudstyr.** Producentens henvisninger skal følges, for at forringe risikoen for ild samt kvæstelser grundet gift, karcinogener, etc.
- **Sprøjt aldrig uden monteret dysehoved.** Brug af en speciel dyseindsats med passende dysehoved formindsker sandsynligheden for, at højtryksstrålen gennemtrænger huden og gift sprøjtes i kroppen.

## ● Ibrugtagen

### ● HVLP-egenskaber

Dette apparat råder over et HVLP-system (High Volume Low Pressure). Det sørger for en øget (malings-) materialepåføring ved formindsket forbrug.

**Vigtigt:** Arbejdstrykket på maksimal 3 bar må ikke overskrides.

## ● Apparatet tilsluttes

- Produktet må kun drives med rensat, kondensat- og oliefri trykluft og det maksimale arbejdstryk på 3 bar på apparatet må ikke overskrides.
- For at du kan regulere lufttrykket, skal trykluftkilden være udstyret med en (filter)-trykformindsker.

For at drive dette apparat, har De brug for en fleksibel trykluftslange med lynkobling og en tilsvarende trykluftkilde.

Vær opmærksom på trykluftkildens betjenings- og sikkerhedshenvisninger og særlige bemærkninger om bearbejdelse af maling.

**Bemærk:** Sørg for det rigtige arbejdstryk. For højt arbejdstryk fører til stor finfordeling og medfører for hurtig væskefordampning. Overflader bliver ru og udvikler dårlige hæfteegenskaber. Hvis derimod arbejdstrykket er for lavt, forstøves malematerialet ikke tilstrækkeligt. Det resulterer i bølgede overflader og dråbedannelse.

- Tilsut trykluftslangen med lynkobling til apparatets tryklufttilslutning **[6]**. Låsningen sker automatisk.
- Indstil arbejdstrykket på 3 bar på trykluftkildens filtertrykformindsker.

## ● Sprøjtefladen forberedes

- Afdæk sprøjtefladens omgivelser omfattende og grundigt. Ellers kan alle flader og overflader, som ikke er dækket af, forurennes.
- Sørg for, at sprøjtefladen er ren, tør og fedtfri.
- Glatte flader gøres ru og efterfølgende fjernes slibestøvet.

## ● Apparatet tændes / slukkes

### Arbejdshenvisninger:

- Sæt filteret i pistolen (se afbildning C).
- Under arbejdet åbnes udluftningen **[1]**.
- Sørg for, at sprøjtemateriale og fortynder passer til hinanden, når De fortynder. Hvis den forkerte fortynder anvendes, kan der dannes klumper og pistolen kan på grund af dette stoppes til.
- Spænd bægeret **[3]** fast på pistolen i retning med uret.



- Fyld sprøjtemateriale i bægeret **[3]** og spænd låget **[2]** fast.
  - Hold farvesprøjtepistolen altid i samme afstand til objektet. Den ideelle afstand er på ca. 15 cm.
  - Find ud af de pågældende indstillinger ved hjælp af forsøg.
  - Tænd/sluk ikke apparatet hen over sprøjtefladen, men start og slut ca. 10 cm udenfor sprøjtefladen.
- For at tænde, trykkes udrykkerhåndtaget **[8]** og holdes trykket.
  - For at slutte driften, slippes udrykkerhåndtaget **[8]** igen.

## ● Farvestrålen indstilles

Apparatet råder over indstillinger til rundstråle og bredstråle.



### Rundstråle indstilles:

- Rundstrålen anvendes for eksempel ved små flader, hjørner og kanter.
- Drej regulatoren **[5]** i retning med uret **C**.

### Bredstråle indstilles:

- Bredstrålen anvendes vertikal og horisontal ved større flader.
- Drej regulatoren **[5]** i retning mod uret **C**. Dysehovedet **[9]** kan ved drejning indstilles trinløst i den ønskede position vertikalt og horisontalt.

## ● Farvemængde reguleres

**Bemærk:** Den forreste låseskrue tjener til, at begrænse indstillingsområdet for pumpblokeringsskruen **[4]**.

### Farvemængden øges:

- Drej pumpblokeringsskruen **[4]** i retning mod uret.

### Farvemængden formindskes:

- Drej pumpblokeringsskruen **[4]** i retning med uret.

## ● Luftmængde reguleres

**Bemærk:** Det anbefales, at starte med den maksimale luftmængde. Til dette formål åbnes luftmængderegulatoren **[7]** som nævnt efterfølgende under "Luftmængden øges" til maksimal indstilling.

### Luftmængden øges:

**Bemærk:** At øge luftmængden plejer at være tilrådelig ved for grov forstøvning.

- Drej luftmængderegulatoren **[7]** i retning mod uret.

### Luftmængden formindskes:

**Bemærk:** At formindske luftmængden plejer at være tilrådelig ved for stærk farvetåge.

- Drej luftmængderegulatoren **[7]** i retning med uret.

## ● Vedligeholdelse og rengøring

**Henvi sning:** Grundig rengøring efter hver anvendelse er meget vigtig for sikkerhed og drift.

Ellers stopper nålen apparatet og de fejlfrie funktioner hos apparatet er ikke garanteret mere.

- Brug egnede sikkerhedshandsker ved rengøringsarbejde.
- Anvend ikke carbonhybrid halogen-opløsningsmidler som Trichlormethyl, Ethylchlorid osv., da de indgår i kemiske reaktioner med nogle af farvesprøjtepistolens materialer. Dette kan føre til farlige reaktioner.

**⚠ ADVARSEL!** Læg farvesprøjtepistolen aldrig helt ned i opløsningsmidler.

- Sprøjt efter hver anvendelse fortynder (**kun i det fri-eksplosionsfare!**) henholdsvis vand gennem apparatet.
- For at rengøre kabinettet, dysen **[9]** og brusehullerne, benyt den vedlagte rengøringsbørste eller en klud. Brug aldrig benzin, opløsningsmidler eller rengøringsmiddel, som angriber kunststof.
- Skru først mængdereguleringskruen **[4]** ud ved at dreje den mod uret **C**.
- Fjern fjederen **[11]**.
- Fjern nålen **[10]** omhyggeligt ved hjælp af en tang (se afbildning A).
- Rens nålen **[10]** grundigt med en børste **[12]**. Se også afbildning B.

- Sæt nålen **10** igen i farvesprøjtespistolen.
- Sæt fjederen **11** på spidsen af nålen **10**.
- Skru mængdereguleringsskruen **4** fast igen ved at dreje den med uret **C**.
- Skru flydebægeret **3** af pistolen idet De drejer mod urets retning **C**.
- Fjern filteret **13** som vist på afbildning C og rengør dette med rengøringsbørsten.
- Rengør samtidig det indvendige skruagevind **14** hos flydebægeret **3** med rengøringsbørsten (se afbildning D).
- Stik filteret igen ind i pistolen (se afbildning C) og skru flydebægeret **3** fast på denne idet De drejer mod urets retning **C**.
- For at rustbeskytte kan De sprøjte symaskinolie igennem efter rengøringen.
- Giv alle bevægelige dele af og til olie.
- Efter rengøring af nålen skal gevind og pakning behandles let med fedt.
- Anvend ikke silikonholdige smøremidler.
- Opbevar trykluftapparaterne kun i tørre rum.

## ● Service

- **⚠ ADVARSEL!** Apparater, som drives med trykluft, må udelukkende reparerer af kvalificeret fagpersonale og udelukkende med originale reservedele. På den måde sikres, at apparaternes sikkerhed holdes vedlige.

## ● Garanti

På denne donkraft får du 3 års garanti fra købsdatoen. Apparatet er produceret omhyggeligt og inden levering afprøvet samvittighedsfuldt. Opbevar kassebonen som bevis for købet. I garantitilfælde bedes du kontakte service-afdelingen telefonisk. På denne måde kan gratis indsendelse af varen garanteres.

Garantiydelsen gælder kun for materiale- eller fabriktionsfejl, men ikke for transportskader, sliddele eller skader på skrøbelige dele som f.eks. kontakter

eller batterier. Produktet er kun beregnet til privat og ikke til erhvervsmæssigt brug.

Ved misbrug og uhensigtsmæssig behandling, anvendelse af vold og ved indgreb, som ikke er foretaget af vores autoriserede service-afdeling, ophører garantien. Dine juridiske rettigheder indskrænkes ikke ved denne garanti.

Garantiperioden forlænges ikke på grund af produktansvaret. Det gælder også for udskiftede og reparerede dele. Eventuelle skader og mangler, som allerede findes ved køb, skal straks anmeldes efter udpakning og senest to dage efter købsdatoen. Når garantiperioden er udløbet, skal udgifterne til reparationer betales normalt.

## DK

**Service Danmark**

**Tel.: 32 710005**

**e-mail: [kompennass@lidl.dk](mailto:kompennass@lidl.dk)**

**IAN 89567**

## ● Bortskaffelse



Emballagen består af miljøvenlige materialer og kan smides ud på de lokale genbrugsstationer.

Mulighederne for at komme af med et udtjent apparat kan De få at vide hos de lokale myndigheder.

## Miljøfordragelighed og materialebortskaffelse:

- Farver, lak er specialaffald der skal bortskaffes i overensstemmelse hermed.
- De stedlige forskrifter skal iagttages.
- Fremstillerens anvisninger skal overholdes.
- Miljøskadelige kemikalier må ikke komme ud i jorden, grundvandet eller i åer og søer.
- Sprøjtning i nærheden af åer og søer eller deres afvandingsområder er derfor forbudt.
- Under indkøb af farve og lak bør De være opmærksom på om det er miljøfordrageligt.

## ● **Konformitetserklæring / Fremstiller CE**

Vi, KOMPERNASS GMBH, ansvarlig for dokumenter:  
Semi Uguzlu, BURGSTR. 21, 44867 BOCHUM,  
GERMANY, erklærer hermed, at dette produkt stemmer overens med de følgende normer, normative dokumenter og EF-retningslinjer:

### **Maskindirektiv (2006 / 42 / EC)**

#### **Anvendte harmoniserede standarder**

DIN EN 1953:1998+A1:2009  
(EN 1953:1998+A1:2009)

#### **Maskintype / Type:**

Trykluft-farvesprøjte PDFP 500 A1

**Date of manufacture (DOM): 04-2013**

**Serienummer: IAN 89567**

Bochum, 30.04.2013



Semi Uguzlu

- Kvalitetsmanager -

Tekniske ændringer af hensyn til den videre udvikling forbeholdes.



**Einleitung**

Bestimmungsgemäßer Gebrauch.....	Seite 38
Ausstattung .....	Seite 38
Lieferumfang.....	Seite 38
Technische Daten .....	Seite 38

**Sicherheitshinweise**..... Seite 38

Originalzubehör/ -zusatzgeräte .....	Seite 39
Sicherheitshinweise für Feinsprühsysteme.....	Seite 39

**Inbetriebnahme**

HVLP-Eigenschaften.....	Seite 40
Gerät anschließen.....	Seite 40
Sprühfläche vorbereiten .....	Seite 41
Gerät ein-/ ausschalten .....	Seite 41
Farbstrahl einstellen .....	Seite 41
Farbmenge regulieren.....	Seite 41
Luftmenge regulieren.....	Seite 41

**Wartung und Reinigung**..... Seite 42**Service**..... Seite 42**Garantie**..... Seite 42**Entsorgung**..... Seite 43**Konformitätserklärung / Hersteller**..... Seite 44

## Druckluft-Farbspritzpistole PDFP 500 A1

### ● Einleitung

Wir beglückwünschen Sie zum Kauf Ihres neuen Gerätes. Sie haben sich damit für ein hochwertiges Produkt entschieden. Die Bedienungsanleitung ist Teil dieses Produkts. Sie enthält wichtige Hinweise für Sicherheit, Gebrauch und Entsorgung. Machen Sie sich vor der Benutzung des Produkts mit allen Bedien- und Sicherheitshinweisen vertraut. Benutzen Sie das Produkt nur wie beschrieben und für die angegebenen Einsatzbereiche. Händigen Sie alle Unterlagen bei Weitergabe des Produkts an Dritte mit aus.

### ● Bestimmungsgemäßer Gebrauch

Das druckluftbetriebene Gerät ist nur bestimmt zum Auftragen / Zerstäuben von lösemittelhaltigen und wasserverdünnbaren Lackfarben, Lasuren, Grundierungen, Klarlacken, Kraftfahrzeug-Decklacken, Beizen, Holzschutzmitteln, Pflanzenschutzmitteln, Ölen und Desinfektionsmitteln. Das Gerät ist nicht geeignet zum Verarbeiten von Dispersions- und Latexfarben, Laugen, säurehaltigen Beschichtungstoffen, körnigem und körperhaltigem Sprühmaterial sowie spritz- und tropfgehemmten Materialien. Jede andere Verwendung oder Veränderung des Gerätes gilt als nicht bestimmungsgemäß und birgt erhebliche Unfallgefahren. Für aus bestimmungswidriger Verwendung entstandene Schäden übernehmen wir keine Haftung. Das Gerät ist nur für den privaten Einsatz bestimmt.

### ● Ausstattung

- 1 Entlüftung
- 2 Deckel Fließbecher
- 3 Fließbecher
- 4 Hubanschlagschraube (Farbmengenregulierung)
- 5 Regler für Rund- / Breitstrahl
- 6 Druckluftanschluss

- 7 Regler zur Luftmengenregulierung
- 8 Abzughebel
- 9 Düsenkopf
- 10 Nadel
- 11 Feder
- 12 Bürste
- 13 Filter
- 14 inneres Schraubgewinde (Fließbecher)

### ● Lieferumfang

- 1 Druckluft-Farbspritzpistole PDFP 500 A1
- 1 Fließbecher
- 1 Deckel für Fließbecher
- 1 Reinigungsbürste
- 1 Filter
- 1 Bedienungsanleitung

### ● Technische Daten

- Benötigte Luftqualität: gereinigt, kondensat- und ölfrei
- Luftverbrauch: max. 380 l / min
- Arbeitsdruck: max. 3 bar
- Volumendurchfluß: typisch 130 - 160 ml / min.
- Düsengröße: Ø 1,4 mm
- Fließbecher: 500 ml
- Empfohlene Viskosität: 15 DIN / Sec.
- Schalldruckpegel: 64 dB(A)
- Schallleistungspegel: 76 dB(A)
- Messwert ermittelt entsprechend EN 14462 (EN1953/A1:2009).

### ● Sicherheitshinweise



**WARUNG!** Lesen Sie alle Sicherheitshinweise und Anweisungen. Versäumnisse bei der

Einhaltung der Sicherheitshinweise und Anweisungen können schwere Verletzungen und/oder Sachschäden verursachen.

**Bewahren Sie alle Sicherheitshinweise und Anweisungen für die Zukunft auf.**

**⚠️ WARNUNG! RÜCKSTOSSKRÄFTE!**

Bei hohen Arbeitsdrücken können Rückstosskräfte auftreten, die unter Umständen zu Gefährdungen durch Dauerbelastung führen können.

**⚠️ WARNUNG! ERSTICKUNGSGEFAHR!**

**Beim Arbeiten mit Stickstoff besteht Erstickungsgefahr!** Arbeiten Sie daher nur in gut belüfteten Räumen!

**⚠️ WARNUNG! VERLETZUNGSGEFAHR!**

Überschreiten Sie niemals den maximal zulässigen Arbeitsdruck von 3 bar. Verwenden Sie zur Einstellung des Arbeitsdruckes einen Druckminderer.

- **VERLETZUNGSGEFAHR! MISSBRÄUCHLICHE BENUTZUNG!** Richten Sie das Gerät nicht auf Menschen und / oder Tiere.

- **EXPLOSIONS- / BRANDGEFAHR! RAUCHEN VERBOTEN!** Entzünden Sie keine Funken oder offenes Feuer.

**⚠️ WARNUNG! VERLETZUNGSGEFAHR!**

Verwenden Sie niemals Sauerstoff oder andere brennbare Gase als Energiequelle.

**⚠️ WARNUNG! VERLETZUNGSGEFAHR!**

**Lösen Sie zuerst den Schlauch von der Druckluftquelle und entfernen Sie erst danach den Versorgungsschlauch von dem Gerät.** So vermeiden Sie ein unkontrolliertes Herumwirbeln bzw. Rückstoß des Versorgungsschlauches.

- **Verwenden Sie für Ihren persönlichen Schutz geeignete Körperschutzmittel.** Tragen Sie einen Atemschutz mit Aktivkohlefilter und eine Schutzbrille.
- **Halten Sie Kinder und andere Personen während der Benutzung des Gerätes fern.** Bei Ablenkung können Sie die Kontrolle über das Gerät verlieren.
- Entfernen Sie vor Reparatur- und Instandhaltungsarbeiten sowie Betriebsunterbrechungen und vor einem Transport das Gerät von der Druckluftquelle.
- Halten Sie beim Lösen der Schlauchkupplung den Schlauch fest in der Hand, um Verletzungen, hervorgerufen durch einen zurückschnellenden Schlauch, zu vermeiden.
- **Achten Sie auf Beschädigung.** Kontrollieren Sie das Gerät vor Inbetriebnahme auf etwaige Beschädigungen. Sollte das Gerät

Mängel aufweisen, darf es auf keinen Fall in Betrieb genommen werden.

- Knicken Sie nicht den Schlauch des Gerätes. Andernfalls kann dieser beschädigt werden.
- Bitte beachten Sie die Sicherheitshinweise der Hersteller des Spritzgutes.
- **Seien Sie stets aufmerksam, achten Sie darauf, was Sie tun und gehen Sie mit Vernunft an die Arbeit. Benutzen Sie kein Gerät, wenn Sie müde sind oder unter dem Einfluss von Drogen, Alkohol oder Medikamenten stehen.**
- Entfernen Sie keine Typenschilder - sie sind sicherheitsrelevante Bestandteile des Gerätes.
- Wenn Sie im Umgang mit dem Gerät unerfahren sind, sollten Sie sich über den gefahrlosen Umgang schulen lassen.

● **Originalzubehör / -zusatzgeräte**

- **Benutzen Sie nur Zubehör und Zusatzgeräte, die in der Bedienungsanleitung angegeben sind.** Der Gebrauch anderer als in der Bedienungsanleitung empfohlenen Zubehörteile kann eine Verletzungsgefahr für Sie bedeuten.

● **Sicherheitshinweise für Feinsprühsysteme**

- **Halten Sie Ihren Arbeitsbereich sauber, gut beleuchtet und frei von Farb- oder Lösemittelbehältern, Lappen und sonstigen brennbaren Materialien.** Mögliche Gefahr der Selbstentzündung. Halten Sie funktionsfähige Feuerlöscher / Löschergeräte zu jeder Zeit verfügbar.
- **Sorgen Sie für gute Belüftung im Sprühbereich und für ausreichend Frischluft im gesamten Raum.** Verdunstende brennbare Lösemittel schaffen eine explosive Umgebung.
- **Sprühen und reinigen Sie nicht mit Materialien, deren Flammpunkt unterhalb von 21 °C liegt. Verwenden Sie Materialien auf der Basis von Wasser, schwerflüchtigen Kohlenwasserstoffen**

- oder ähnlichen Materialien.** Leichtflüchtige verdunstende Lösemittel schaffen eine explosive Umgebung.
- **Sprühen Sie nicht im Bereich von Zündquellen wie statischen Elektrizitätsfunken, offenen Flammen, Zündflammen, heißen Gegenständen, Motoren, Zigaretten und Funken vom Ein- und Ausstecken von Stromkabeln oder der Bedienung von Schaltern.** Derartige Funkenquellen können zu einer Entzündung der Umgebung führen.
  - **Versprühen Sie keine Materialien bei denen nicht bekannt ist, ob sie eine Gefahr darstellen.** Unbekannte Materialien können gefährdende Bedingungen schaffen.
  - **Tragen Sie zusätzliche persönliche Schutzausrüstung wie entsprechende Schutzhandschuhe und Schutz- oder Atemschutzmaske beim Sprühen oder der Handhabung von Chemikalien.** Das Tragen von Schutzausrüstung für entsprechende Bedingungen verringert die Aussetzung gegenüber gefährdenden Substanzen.
  - **Sprühen Sie nicht auf sich selbst, auf andere Personen oder Tiere. Halten Sie Ihre Hände und sonstige Körperteile fern vom Sprühstrahl.** Falls der Sprühstrahl die Haut durchdringt, nehmen Sie umgehend ärztliche Hilfe in Anspruch. Das Sprühgut kann selbst durch einen Handschuh hindurch die Haut durchdringen und in Ihren Körper eingespritzt werden.
  - **Behandeln Sie eine Einspritzung nicht als einfachen Schnitt. Ein Hochdruckstrahl kann Giftstoffe in den Körper einspritzen und zu ernsthaften Verletzungen führen.** Im Falle einer Hauteinspritzung nehmen Sie umgehend ärztliche Hilfe in Anspruch.
  - **Geben Sie acht auf etwaige Gefahren des Sprühguts. Beachten Sie die Markierungen auf dem Behälter oder die Herstellerinformationen des Sprühguts, einschließlich der Aufforderung zur Verwendung persönlicher Schutzausrüstung.** Den Herstelleranweisungen ist Folge zu leisten, um das Risiko von Feuer sowie durch

Gifte, Karzinogene, etc. hervorgerufenen Verletzungen zu verringern.

- **Sprühen Sie niemals ohne montierten Düsenkopf.** Die Verwendung eines speziellen Düseneinsatzes mit dem passenden Düsenkopf vermindert die Wahrscheinlichkeit, dass ein Hochdruckstrahl die Haut durchdringt und Gifte in den Körper einspritzt.

## ● Inbetriebnahme

### ● HVLP-Eigenschaften

Dieses Gerät verfügt ein HVLP-System (High Volume Low Pressure). Es sorgt für einen erhöhten (Farb-) Materialauftrag bei geringerem Verbrauch.

**Wichtig:** Überschreiten Sie nicht den Arbeitsdruck von maximal 3 bar.


### ● Gerät anschließen

- Das Produkt darf ausschließlich mit gereinigter, kondensat- und ölfreier Druckluft betrieben werden und darf den maximalen Arbeitsdruck von 3 bar am Gerät nicht überschreiten.
- Damit Sie den Luftdruck regulieren können, muss die Druckluftquelle mit einem (Filter)-Druckminderer ausgestattet sein.

Sie benötigen zum Betrieb dieses Geräts einen flexiblen Druckluftschlauch mit Schnellkupplung und eine entsprechende Druckluftquelle.

Beachten Sie die Bedien- und Sicherheitshinweise der Druckluftquelle und besondere Anweisungen zur Farbenaufbereitung.

**Hinweis:** Achten Sie auf den richtigen Arbeitsdruck. Zu hoher Arbeitsdruck führt zu starker Feinverteilung und bringt eine zu schnelle Flüssigkeitsverdunstung mit sich. Die Oberflächen werden rau und entwickeln schlechte Hafteigenschaften. Ist der Arbeitsdruck hingegen zu niedrig, wird das Farbmaterial nicht ausreichend zerstäubt. Wellige Oberflächen und Tropfenbildung sind die Folge.

- Schließen Sie den Druckluftschlauch mit Schnellkupplung am Druckluftanschluss  des Gerätes an. Die Verriegelung erfolgt automatisch.



- Stellen Sie am Filterdruckminderer der Druckluftquelle den Arbeitsdruck auf 3 bar ein.

## ● Sprühfläche vorbereiten

- Decken Sie die Umgebung der Sprühfläche weiträumig und gründlich ab. Alle nicht abgedeckten Flächen oder Oberflächen können sonst verunreinigt werden.
- Stellen Sie sicher, dass die Sprühfläche sauber, trocken und fettfrei ist.
- Rauhen Sie glatte Flächen auf und entfernen Sie anschließend den Schleifstaub.

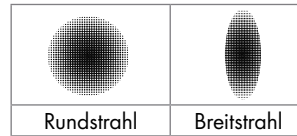
## ● Gerät ein- / ausschalten

### Arbeitshinweise:

- Setzen Sie den Filter in die Pistole ein (s. Abb. C).
  - Öffnen Sie während des Arbeitsvorgangs die Entlüftung **1**.
  - Achten Sie beim Verdünnen darauf, dass Sprühmaterial und Verdünnung zusammenpassen. Bei Verwendung einer falschen Verdünnung können Klumpen entstehen und in Folge dessen kann die Pistole verstopfen.
  - Schrauben Sie den Fließbecher **3** im Uhrzeigersinn auf die Pistole fest.
  - Füllen Sie das Sprühmaterial in den Fließbecher **3** und schrauben Sie den Deckel **2** fest.
  - Halten Sie die Farbspritzpistole immer im gleichen Abstand zum Objekt. Der ideale Spritzabstand beträgt ca. 15 cm.
  - Ermitteln Sie die jeweils geeigneten Einstellungen durch einen Versuch.
  - Schalten Sie das Gerät nicht über der Spritzfläche ein / aus, sondern beginnen und beenden Sie den Spritzvorgang ca. 10 cm außerhalb der Spritzfläche.
- Drücken Sie zum Einschalten den Abzughebel **8** und halten Sie ihn gedrückt.
  - Lassen Sie zum Beenden des Betriebs den Abzughebel **8** wieder los.

## ● Farbstrahl einstellen

Das Gerät verfügt über die Einstellungen Rundstrahl und Breitstrahl.



### Rundstrahl einstellen:

- Verwenden Sie den Rundstrahl beispielsweise bei kleinen Flächen, Ecken und Kanten.
- Drehen Sie den Regler **5** im Uhrzeigersinn **C**.

### Breitstrahl einstellen:

- Verwenden Sie den Breitstrahl vertikal und horizontal bei größeren Flächen.
- Drehen Sie den Regler **5** gegen den Uhrzeigersinn **C**.  
Der Düsenkopf **9** lässt sich vertikal und horizontal durch Drehen in die gewünschte Position stufenlos einstellen.

## ● Farbmenge regulieren

**Hinweis:** Die vordere Arretierschraube dient dazu, den Verstellbereich der Hubanschlagschraube **4** zu begrenzen.

### Farbmenge erhöhen:

- Drehen Sie die Hubanschlagschraube **4** gegen den Uhrzeigersinn.

### Farbmenge verringern:

- Drehen Sie die Hubanschlagschraube **4** im Uhrzeigersinn.

## ● Luftmenge regulieren

**Hinweis:** Es wird empfohlen, mit der maximalen Luftmenge zu beginnen. Öffnen Sie hierzu die Luftmengenregulierung **7** wie nachfolgend unter „Luftmenge erhöhen“ beschrieben bis zur maximalen Einstellung.

## Luftmenge erhöhen:

**Hinweis:** Die Erhöhung der Luftmenge ist in der Regel ratsam bei zu grober Zerstäubung.

- Drehen Sie die Luftmengenregulierung **7** gegen den Uhrzeigersinn.

## Luftmenge verringern:

**Hinweis:** Die Verringerung der Luftmenge ist in der Regel ratsam bei zu starkem Farbnebel.

- Drehen Sie die Luftmengenregulierung **7** im Uhrzeigersinn.

## ● Wartung und Reinigung

**Hinweis:** Die gründliche Reinigung nach jeder Anwendung ist sehr wichtig für Sicherheit und Betrieb. Andernfalls verstopft beispielsweise die Nadel und die einwandfreien Funktionen des Gerätes sind nicht mehr gewährleistet.

- Tragen Sie bei Reinigungsarbeiten geeignete Schutzhandschuhe.
- Verwenden Sie keine kohlenwasserstoffhaltigen Halogen-Lösungsmittel wie Trichlormethyl, Ethylchlorid usw., da sie chemische Reaktionen mit einigen Materialien der Farbspritzpistole eingehen. Dies kann zu gefährlichen Reaktionen führen.

**⚠ ACHTUNG!** Legen Sie die Farbspritzpistole niemals vollständig in Lösungsmittel.

- Spritzen Sie nach jedem Gebrauch Verdüner (**nur im Freien-Explosionsgefahr!**) bzw. Wasser durch das Gerät.
- Um das Gehäuse, den Düsenkopf **9** und die darin befindlichen Sprühlöcher zu reinigen, benutzen Sie die beiliegende Reinigungsbürste oder ein Tuch. Verwenden Sie niemals Benzin, Lösungsmittel oder Reiniger, die Kunststoff angreifen.
- Schrauben Sie zunächst die Hubanschlagschraube **4** durch Drehen gegen den Uhrzeigersinn **↻** heraus.
- Entnehmen Sie die Feder **11**.
- Entnehmen Sie die Nadel **10** mit Hilfe einer Zange (s. Abb. A).
- Reinigen Sie die Nadel **10** sorgfältig mit der Bürste **12**, sehen Sie auch Abbildung B.
- Setzen Sie die Nadel **10** wieder in die Farbspritzpistole ein.

- Setzen Sie die Feder **11** auf das Ende der Nadel **10**.
- Schrauben Sie die Hubanschlagschraube **4** durch Drehen im Uhrzeigersinn **↻** wieder fest.
- Schrauben Sie den Fließbecher **3** gegen den Uhrzeigersinn **↻** von der Pistole ab.
- Entfernen Sie den Filter **13** wie in Abbildung C dargestellt und reinigen Sie diesen mit der Reinigungsbürste.
- Reinigen Sie auch das innere Schraubgewinde **14** des Fließbeckers **3** mit der Reinigungsbürste (s. Abb. D).
- Stecken Sie den Filter wieder in die Pistole (s. Abb. C) und schrauben Sie den Fließbecher **3** im Uhrzeigersinn **↻** auf dieser fest.
- Zum Rostschutz können Sie nach der Reinigung Nähmaschinenöl durchspritzen.
- Ölen Sie alle beweglichen Teile von Zeit zu Zeit.
- Nach Reinigung der Nadel müssen Gewinde und Dichtung leicht mit Fett behandelt werden.
- Verwenden Sie keine silikonhaltigen Schmiermittel.
- Lagern Sie Druckluftgeräte nur in trockenen Räumen.

## ● Service

- **⚠ WARNUNG!** Lassen Sie druckluftbetriebene Geräte nur von qualifiziertem Fachpersonal und nur mit Originalersatzteilen reparieren. Damit wird sichergestellt, dass die Sicherheit der Geräte erhalten bleibt.

## ● Garantie

**Sie erhalten auf dieses Gerät 3 Jahre Garantie ab Kaufdatum. Das Gerät wurde sorgfältig produziert und vor Anlieferung gewissenhaft geprüft. Bitte bewahren Sie den Kassenbon als Nachweis für den Kauf auf. Bitte setzen Sie sich im Garantiefall mit Ihrer Servicestelle telefonisch in Verbindung. Nur so kann eine kostenlose Einsendung Ihrer Ware gewährleistet werden.**

Die Garantieleistung gilt nur für Material- oder Fabrikationsfehler, nicht aber für Transportschäden, Verschleißteile oder für Beschädigungen an zerbrechlichen Teilen, z. B. Schalter oder Akkus. Das Produkt ist lediglich für den privaten und nicht für den gewerblichen Gebrauch bestimmt.

Bei missbräuchlicher und unsachgemäßer Behandlung, Gewaltanwendung und bei Eingriffen, die nicht von unserer autorisierten Service-Niederlassung vorgenommen wurden, erlischt die Garantie. Ihre gesetzlichen Rechte werden durch diese Garantie nicht eingeschränkt.

Die Garantiezeit wird durch die Gewährleistung nicht verlängert. Dies gilt auch für ersetzte und reparierte Teile. Eventuell schon beim Kauf vorhandene Schäden und Mängel müssen sofort nach dem Auspacken gemeldet werden, spätestens aber zwei Tage nach Kaufdatum. Nach Ablauf der Garantiezeit anfallende Reparaturen sind kostenpflichtig.

## DE

### Service Deutschland

**Tel.: 01805772033**  
(0,14 EUR / Min. aus dem dt.  
Festnetz, Mobilfunk max.  
0,42 EUR / Min.)

**E-Mail: kompernass@lidl.de**

**IAN 89567**

## AT

### Service Österreich

**Tel.: 0820 201 222**  
(0,15 EUR / Min.)

**E-Mail: kompernass@lidl.at**

**IAN 89567**

## CH

### Service Schweiz

**Tel.: 0842 665566**  
(0,08 CHF / Min., Mobilfunk  
max. 0,40 CHF / Min.)

**E-Mail: kompernass@lidl.ch**

**IAN 89567**

## ● Entsorgung



Die Verpackung besteht aus umweltfreundlichen Materialien, die Sie über die örtlichen Recyclingstellen entsorgen können.

Möglichkeiten zur Entsorgung des ausgedienten Gerätes erfahren Sie bei Ihrer Gemeinde- oder Stadtverwaltung.

### Umweltverträglichkeit und Materialentsorgung:

- Farben, Lacke... sind Sondermüll, den Sie entsprechend entsorgen müssen.
- Beachten Sie die örtlichen Vorschriften.
- Beachten Sie die Hinweise des Herstellers.
- Umweltschädliche Chemikalien dürfen nicht ins Erdreich, Grundwasser oder in die Gewässer gelangen.
- Spritzarbeiten am Rande von Gewässern oder deren benachbarten Flächen (Einzugsgebiet) sind daher unzulässig.
- Achten Sie beim Kauf von Farben, Lacken... auf deren Umweltverträglichkeit.

● **Konformitätserklärung /  
Hersteller CE**

Wir, KOMPERNASS GMBH, Dokumentenverantwortlicher: Herr Semi Uguzlu, BURGSTR. 21, 44867 BOCHUM, DEUTSCHLAND, erklären hiermit, dass dieses Produkt mit den folgenden Normen, normativen Dokumenten und EG-Richtlinien übereinstimmt:

**Maschinenrichtlinie  
(2006 / 42 / EC)**

**angewandte harmonisierte Normen**

DIN EN 1953:1998+A1:2009

(EN 1953:1998+A1:2009)

**Typ / Gerätebezeichnung:**

Druckluft-Farbspritzpistole PDFP 500 A1

**Herstellungsjahr: 04-2013**

**Seriennummer: IAN 89567**

Bochum, 30.04.2013



Semi Uguzlu

- Qualitätsmanager -

Technische Änderungen im Sinne der Weiterentwicklung sind vorbehalten.

**KOMPERNASS GMBH**

BURGSTRASSE 21  
44867 BOCHUM  
GERMANY

Last Information Update · Tietojen tila · Informationsstatus  
Tilstand af information · Stand der Informationen:  
04/2013 · Ident.-No.: PDFP500A1042013-3

---

IAN 89567